

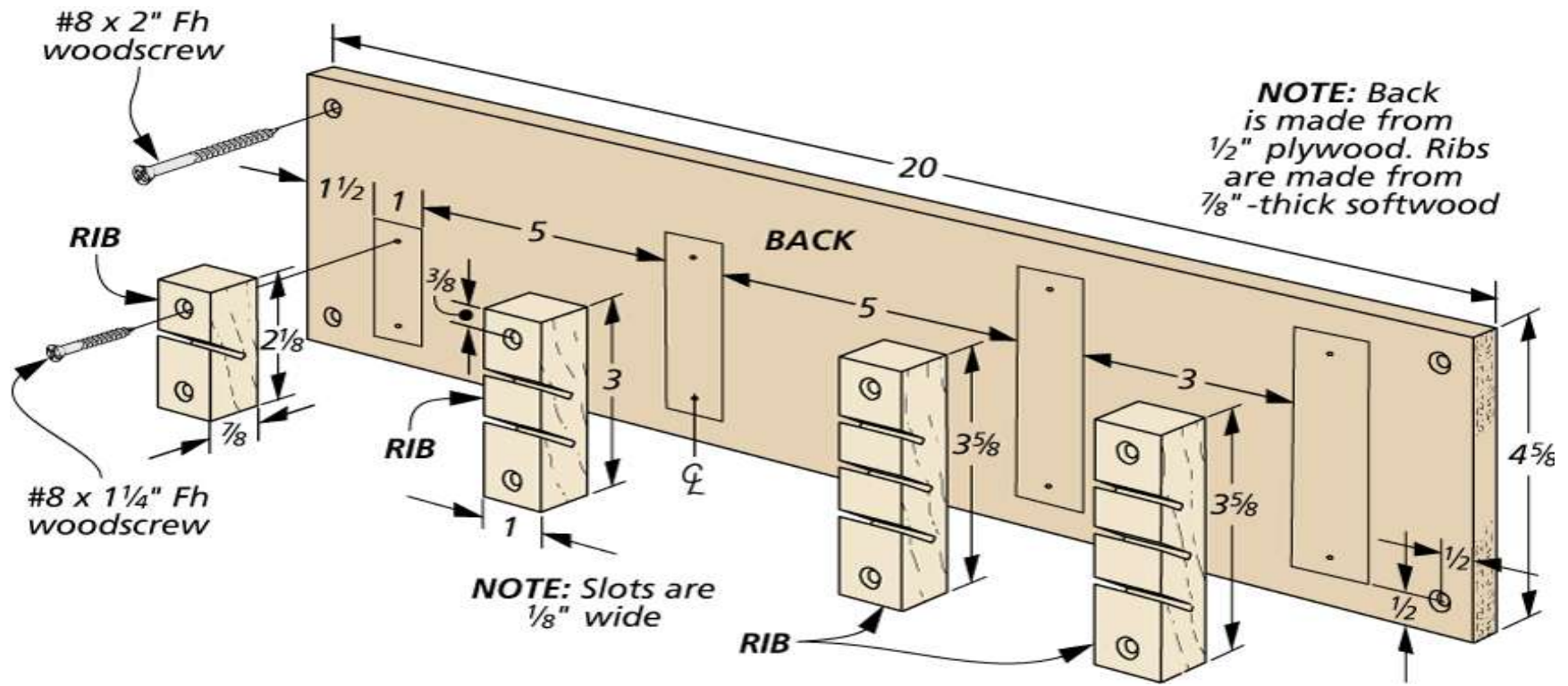
Shop-Made Rule Holder

By: Erich Lage

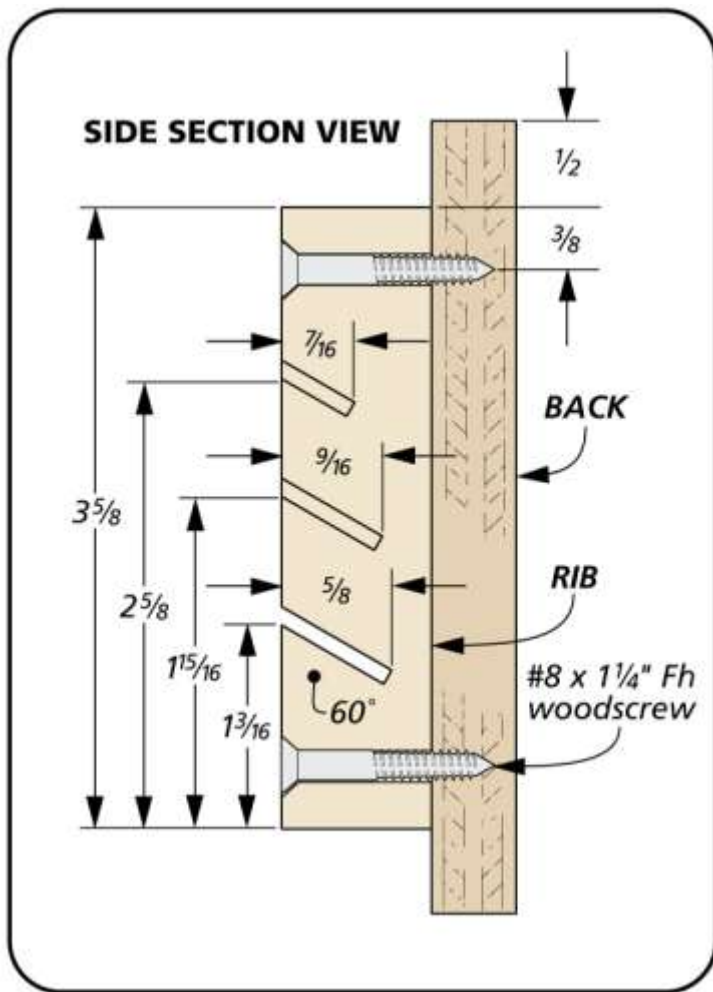
Here's an easy way to keep all your rulers clean and close by.



My favorite tools for measuring and laying out parts is a set of three steel rules. I use them all the time at my workbench. However, I have a tendency to leave them lying all over the shop, so I built this simple rule holder to keep track of them.



The holder consists of a back and four ribs. I simply cut a kerf into each rib to hold the different size rules.



Because the rules are different widths, I make each kerf a little different depth, so the rules have a uniform look when they're hung up. The ribs are then screwed to the back, and I attached the holder onto the pegboard above my bench. Now, the rules are always close.



The different depth kerfs in the ribs allow plenty of room to remove even the smallest rule.

Published: March 23, 2023