

Space Saving Bar Clamp Rack

By: Erich Lage

Keeping clamps sorted and close at hand is a win-win for any shop



Having accumulated a number of Bessey F-style bar clamps over the years, I eventually came to realize that stacking them on the shelf underneath my workbench wasn't the ideal storage option. They were difficult to get to, and I always managed to knock a couple off the shelf when picking them up. Since I had some free wall space available, I decided to make this simple storage rack to get my clamps out from underneath my workbench and make them more accessible.

As you can see, I positioned the brackets based on the length of the clamp bars. That kept the longer bar clamps from interfering with the clamp brackets below.

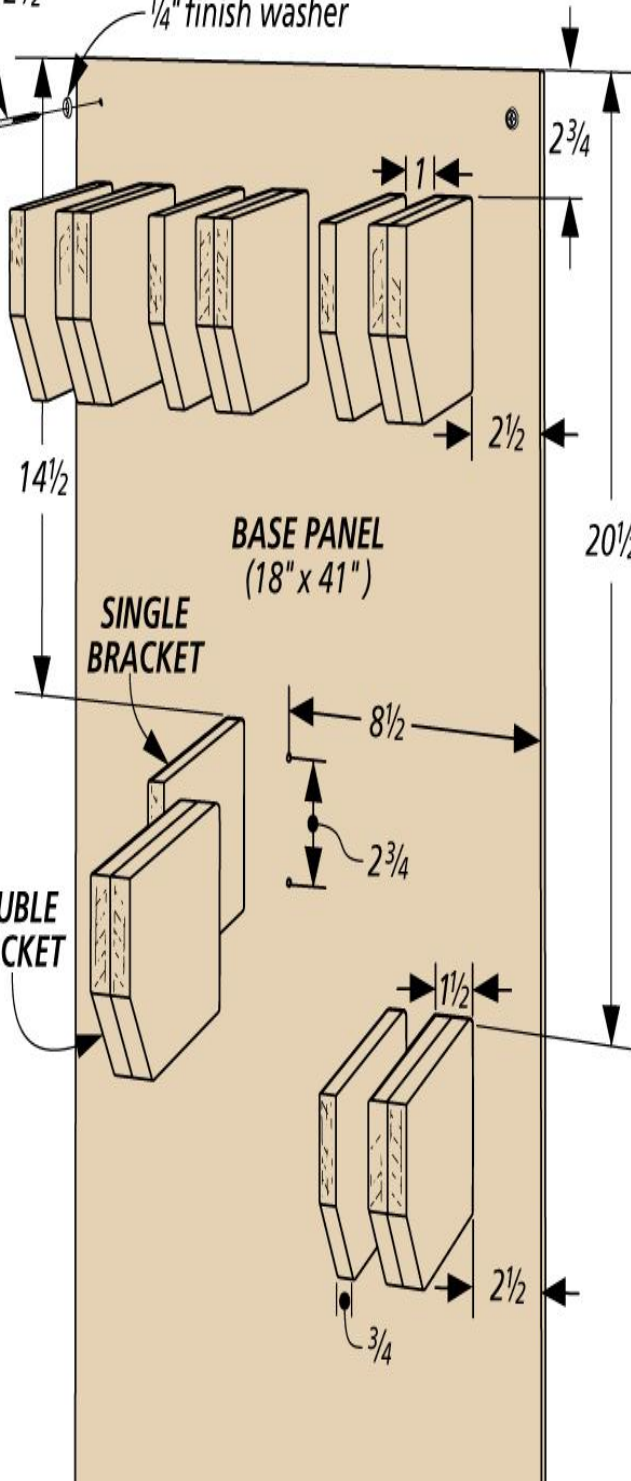
NOTE: Drive #10 x 2½" Fh woodscrew into wall stud

¼" finish washer

NOTE: Position brackets to suit your clamp sizes

NOTE: Edges of brackets have ⅛" roundover

NOTE: Base panel is made from ½" plywood. Brackets are made from ¾" plywood



My storage rack allows clamps to be "stacked" in each pair of brackets to save space. The design of the single- and double-layer brackets cradle the Bessey F-style bar clamps perfectly.

The brackets are made from plywood and are fastened to the base panel with screws from the back side.

