

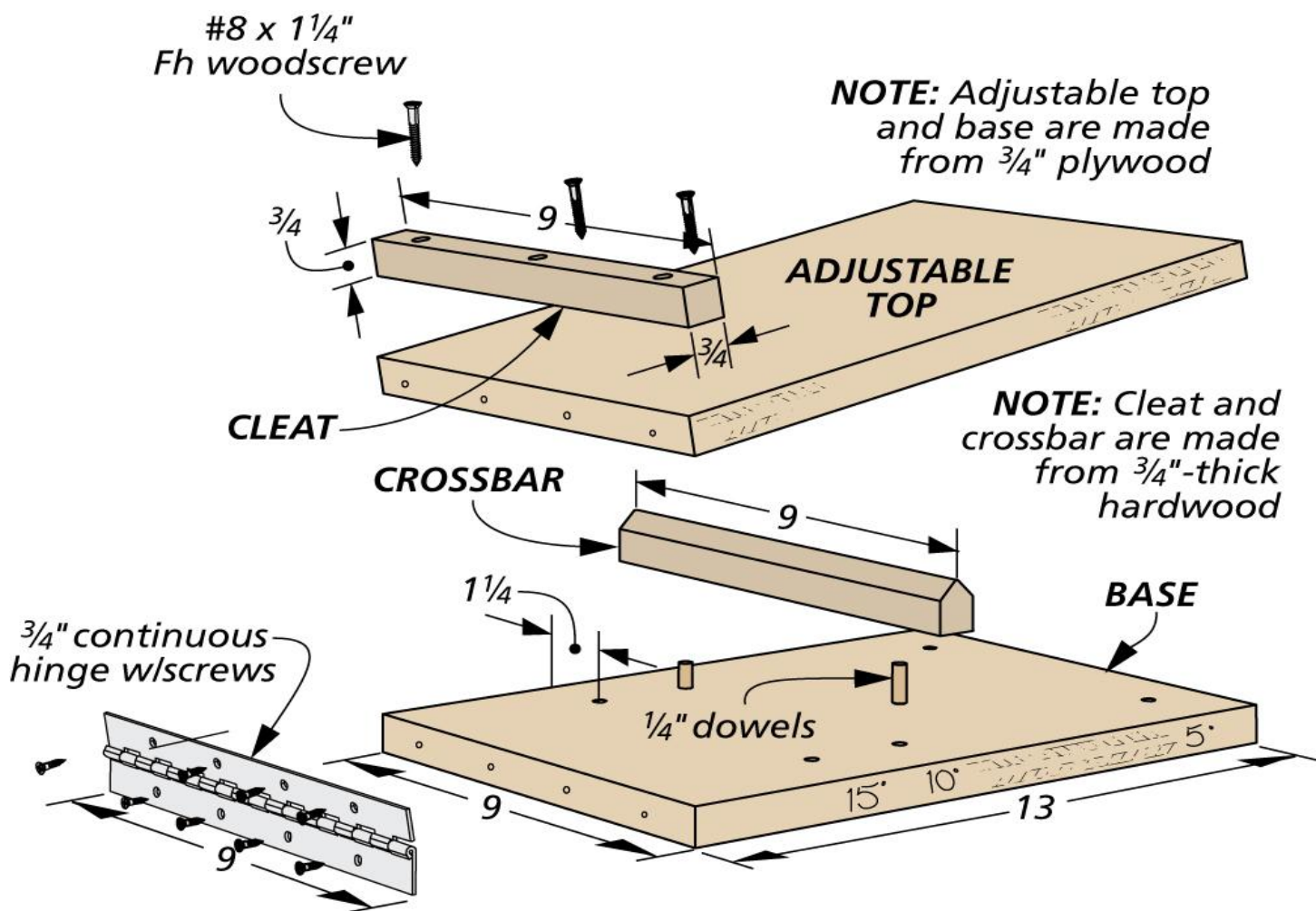
Drill Press Angle Support

By: Erich Lage

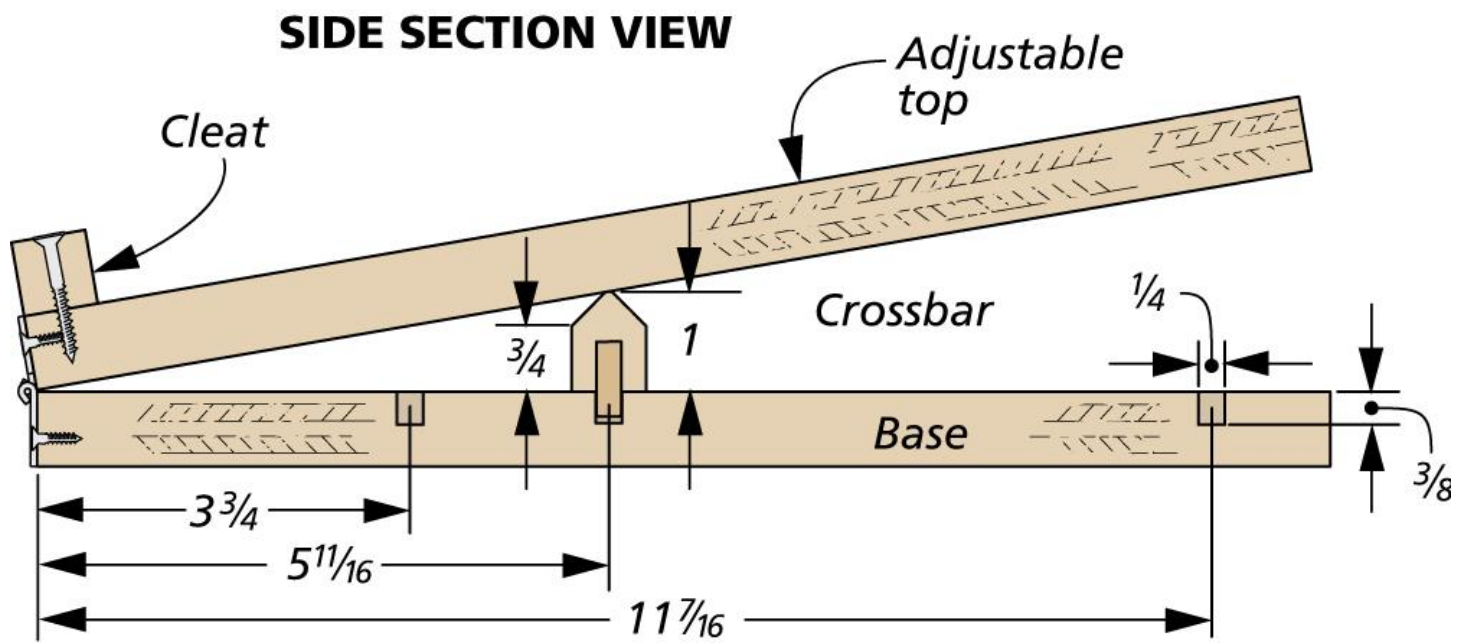
This simple jig for your drill press lets you drill accurately angled holes.



When drilling angled holes, I used to just prop up the workpiece with scrap wood on the drill press table and eyeball the angle until it looked right. Then I was building a complicated coat rack with multiple pegs, and I realized I had a problem. To improve the accuracy and consistency of my holes, I made this adjustable angle support which has proven useful for many projects.



The two pieces are hinged together and held at a fixed angle by a crossbar. The crossbar has dowels on the underside that fit in holes in the base.



The support can be designed for a single angle, but I made mine adjustable for the most common angles I drill: 5°, 10°, and 15°.