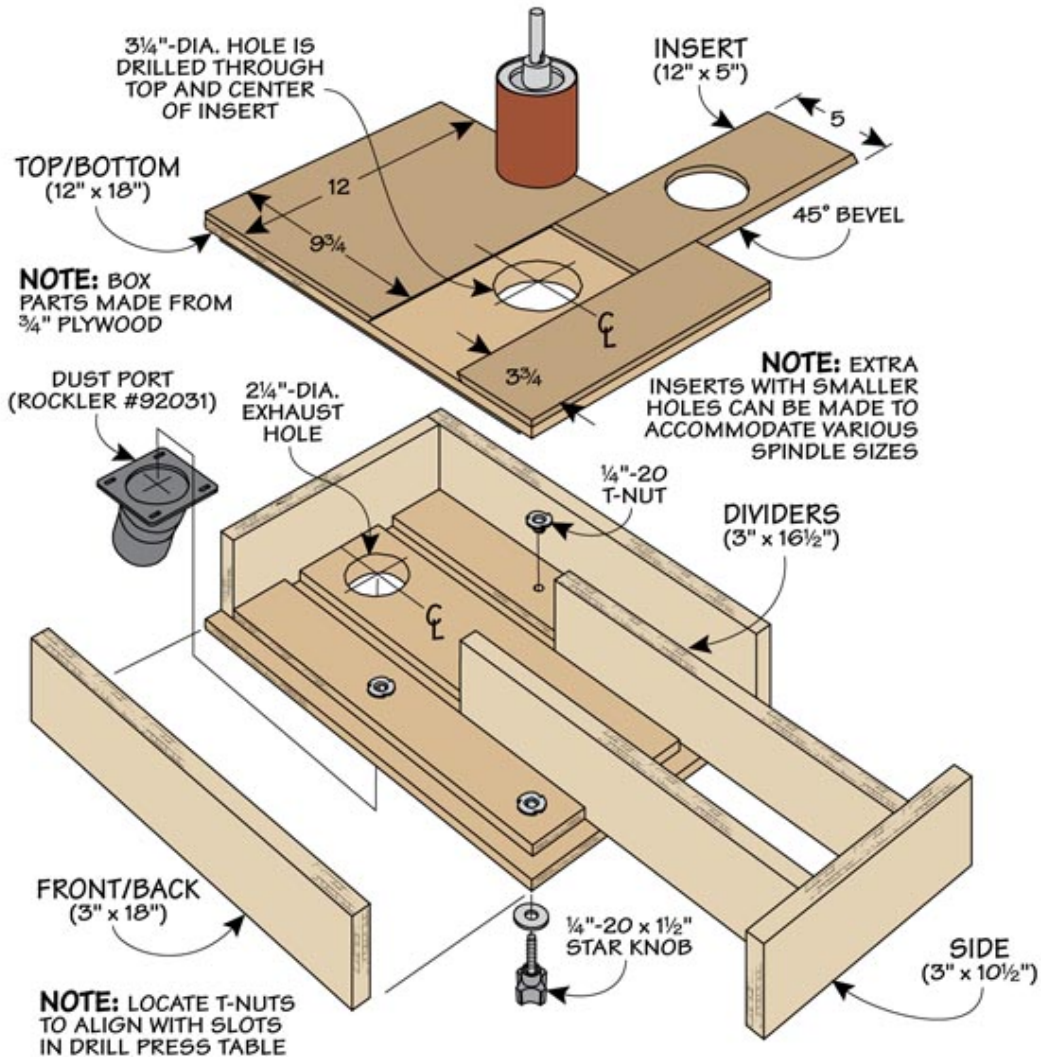


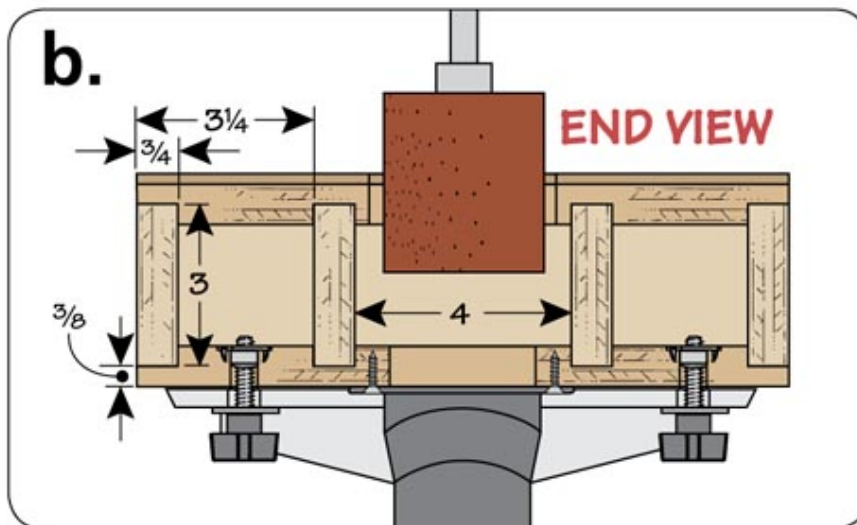
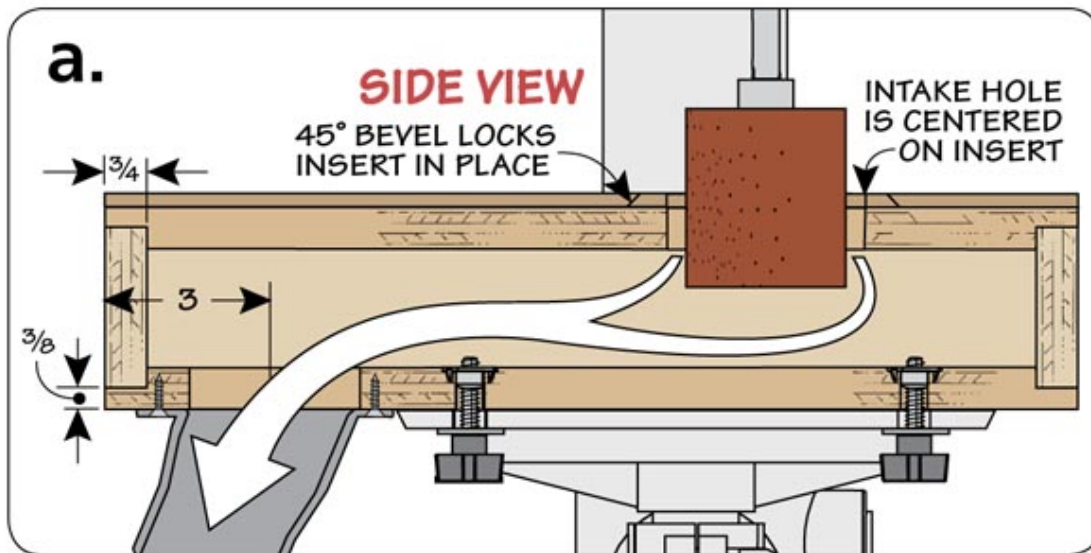


When it comes to sanding the inside of a curve on a workpiece, it's hard to beat a sanding drum in a drill press for speed and convenience. But the dust that results can be overwhelming. To keep the dust out of the air and my lungs, I came up with the table you see here.

**NOTE:** OVERLAY AND INSERT ARE MADE FROM 1/4" HARDBOARD



The table is big enough to support large workpieces. And I added dividers to the inside of the box to maximize airflow to the dust collector. Finally, to make positioning a workpiece easy, I added a smooth 1/4" hardboard overlay with interchangeable inserts.



I made several inserts with different diameter holes to account for various sanding drums. The box extends off of one side of the drill press table to make room for a dust port on the bottom. T-nuts and studed knobs attach the table to the drill press.