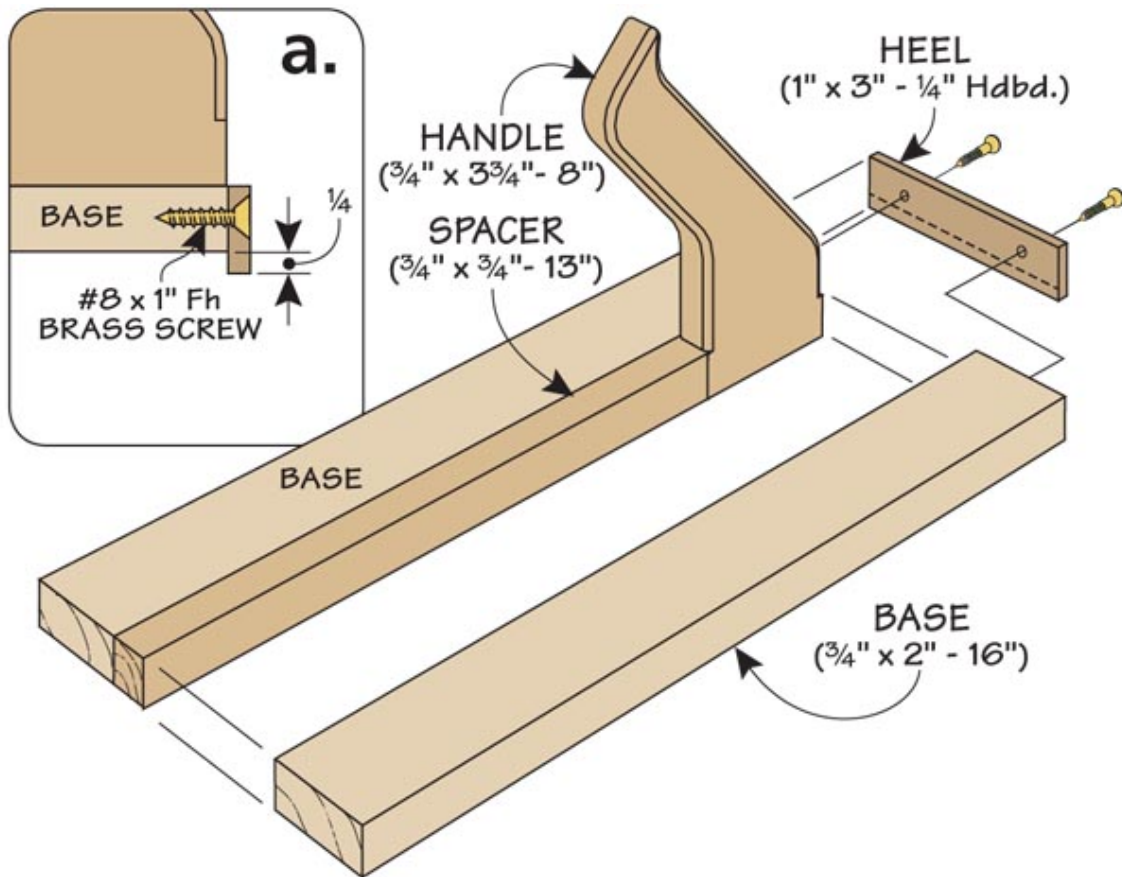




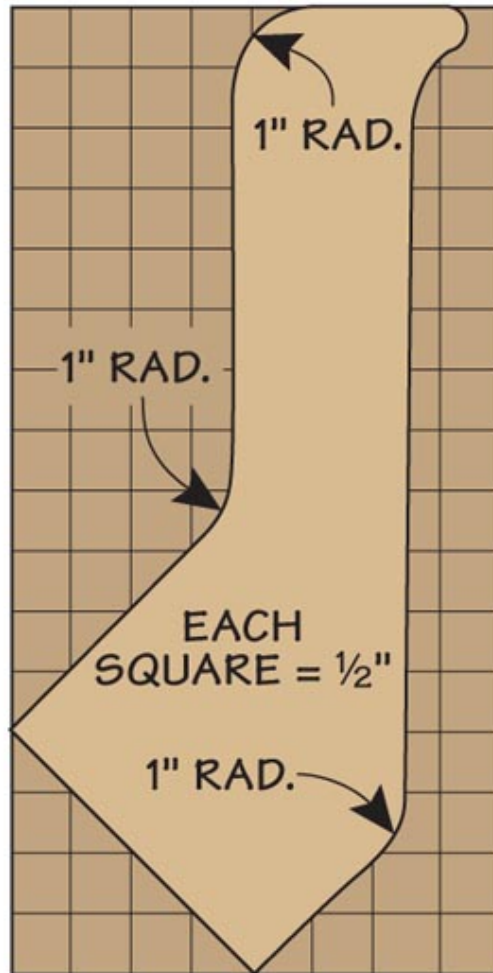
When I'm ripping stock at my table saw, I like to keep downward pressure on the workpiece as I'm making the cut. The push block you see here is just the ticket.



The sturdy handle and long base make it easy to rip stock of any size. And the brass screws holding the heel mean that it can be replaced after being chewed up from repeated use.

PATTERN

1/2" SCALE



Use this pattern to create the shape of the handle. After cutting it out at the band saw or with a jig saw, you can soften the edges with files and sandpaper.