

CENTRAL PNEUMATIC®
21 GALLON
CAST IRON VERTICAL
OIL-LUBRICATED
AIR COMPRESSOR
Heavy Duty 4 HP Peak Motor

Model 47065

OPERATING INSTRUCTIONS



3491 Mission Oaks Blvd., Camarillo, CA 93011
Visit our Web site at <http://www.harborfreight.com>

Copyright© 2002 by Harbor Freight Tools®. All rights reserved. No portion of this manual or any artwork contained herein may be reproduced in any shape or form without the express written consent of Harbor Freight Tools.

For technical questions, please call 1-800-444-3353.

REV 11/02; 11/04

SPECIFICATIONS TABLE

Item	Description
Working Air Pressure	90 PSI
Maximum Air Pressure	115 PSI with Auto Shut-Off
Air Tank Capacity	21 Gallons
Air Flow Capacity	3.5 SCFM at 90 PSI 8.8 SCFM at 40 PSI
Motor	3 HP Working / 120 Volt / 60 Hz Single Phase / 12 Amps
Pump Stage	Single
Air Outlet Size	1/4" - 18 NPT
Accessories	Air Intake Filter Air Hose Coupler
Shipping Weight	152 Pounds
Power Cord	12 gauge x 20'



SAVE THIS MANUAL

You will need this manual for the safety warnings and precautions, assembly, operating, inspection, maintenance and cleaning procedures, parts list and assembly diagram. Keep your invoice with this manual. Write the invoice number on the inside of the front cover. Keep this manual and invoice in a safe and dry place for future reference.

GENERAL SAFETY WARNINGS AND PRECAUTIONS

1. **KEEP WORK AREA CLEAN AND DRY.** Cluttered, damp, or wet work areas invite injuries.
2. **KEEP CHILDREN AWAY FROM WORK AREA.** Do not allow children to handle this product.
3. **STORE IDLE EQUIPMENT.** When not in use, tools and equipment should be stored in a dry location to inhibit rust. Always lock up tools and equipment, and keep out of reach of children.
4. **DO NOT USE THIS PRODUCT IF UNDER THE INFLUENCE OF ALCOHOL OR DRUGS.** Read warning labels on prescriptions to determine if your judgement or reflexes are impaired while taking drugs. If there is any doubt, do not attempt to use this product.

REV 11/02; 02/04; 08/04; 11/04; 01/05; 10/05; 02/06

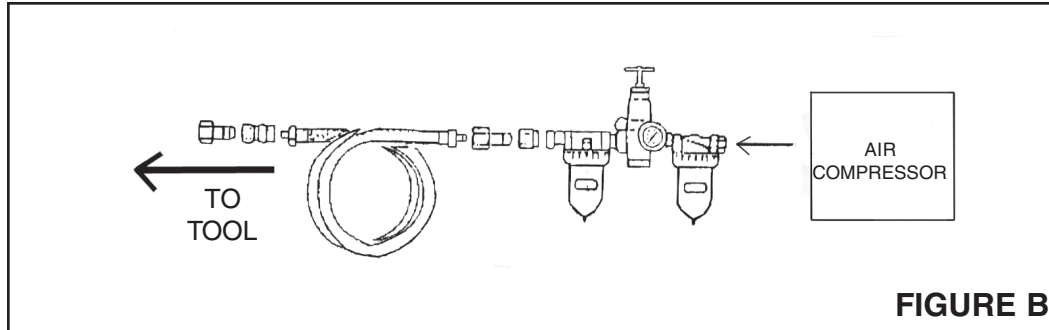
5. **USE EYE AND HAND PROTECTION.** Wear ANSI approved safety impact goggles and heavy-duty work gloves when using this product. ANSI approved safety impact eyeglasses and heavy-duty work gloves are available from Harbor Freight Tools.
6. **DRESS SAFELY.** Do not wear loose clothing or jewelry, as they can become caught in moving parts. Wear a protective hair covering to prevent long hair from becoming caught in moving parts. If wearing a long-sleeve shirt, roll sleeves up above elbows.
7. **DO NOT OVERREACH.** Keep proper footing and balance at all times to prevent tripping, falling, back injury, etcetera.
8. **INDUSTRIAL APPLICATIONS MUST FOLLOW OSHA REQUIREMENT.**
9. **STAY ALERT.** Watch what you are doing at all times. Use common sense. Do not use this product when you are tired or distracted from the job at hand.
10. **CHECK FOR DAMAGED PARTS.** Before using this product, carefully check that it will operate properly and perform its intended function. Check for damaged parts and any other conditions that may affect the operation of this product. Replace or repair damaged or worn parts immediately.
11. **REPLACEMENT PARTS AND ACCESSORIES:** When servicing, use only identical replacement parts. Only use accessories intended for use with this product. Approved accessories are available from Harbor Freight Tools.
12. **MAINTAIN THIS PRODUCT WITH CARE.** Keep this product clean and dry for better and safer performance.
13. **MAINTENANCE:** For your safety, service and maintenance should be performed regularly by a qualified technician.
14. **USE THE RIGHT TOOL FOR THE JOB.** Do not attempt to force a small tool or attachment to do the work of a larger industrial tool. There are certain applications for which this tool was designed. It will do the job better and more safely at the rate for which it was intended. Do not modify this tool, and do not use this tool for a purpose for which it was not intended.
15. **WARNING:** The warnings, precautions, and instructions discussed in this manual cannot cover all possible conditions and situations that may occur. The operator must understand that common sense and caution are factors, which cannot be built into this product, but must be supplied by the operator.

SPECIFIC PRODUCT WARNINGS AND PRECAUTIONS

1. **AVERTISSEMENT :** Assurez-vous pour remplir le Compresseur Aérien d'une qualité à prime, Le 30 poids, le pétrole de non-détergents avant chaque utilisation. Le fait de faire marcher du Compresseur Aérien sans pétrole ou avec le pétrole faible causera le dommage à l'équipement. **Notez :** le réservoir de pétrole a une capacité optimale de 30 onces de pétrole.
2. **WHEN CHECKING THE OIL LEVEL:** Make sure to **unscrew** (do not pull) the Dip Stick (14B) out. (See Figure C, and Assy. Diagram B.)
3. **MAKE SURE ALL TOOLS AND EQUIPMENT USED WITH THE AIR COMPRESSOR ARE RATED TO THE APPROPRIATE CAPACITY.** Do not use any tool or equipment that does not operate from 0 to 115 PSI.
4. **DRAIN AIR COMPRESSOR EVERY DAY.** Do not allow moisture to build up inside the Air Compressor. (See "INSPECTION, MAINTENANCE, AND CLEANING" section of this manual.)
5. **MAINTAIN A SAFE WORKING ENVIRONMENT.** Keep the work area well lit. Make sure there is adequate surrounding workspace. Always keep the work area free of obstructions, grease, oil, trash, and other debris. Do not use the Air Compressor in areas near flammable chemicals, dusts, and vapors.
6. **AVOID INJURY:** Never direct the Air Flow Valve (6A) at people or animals. (See Assy. Diagram A.)
7. **DO NOT ALTER OR REMOVE THE FACTORY SEALED PRESSURE RELEASE VALVE (5A).** (See Assy. Diagram A.)
8. **DO NOT OPEN THE WATER DRAIN VALVE (10A) SO THAT MORE THAN FOUR THREADS ARE SHOWING.** (See Assy. Diagram A.)
9. **AN EXTENSION CORD MUST NEVER BE USED WITH THIS ITEM.** Connecting this item to an outlet through an extension cord **MAY CAUSE ELECTRICAL DAMAGE TO THE MOTOR** and could present a **FIRE HAZARD.**
10. **THIS COMPRESSOR MAY REQUIRE A DEDICATED ELECTRICAL CIRCUIT AS THE AMPERAGE DRAW UNDER FULL LOAD COMBINED WITH USE OF ANY OTHER ITEM MAY OVERLOAD YOUR CIRCUIT.**
11. **WARNING:** This product contains or produces a chemical known to the State of California to cause cancer and birth defects (or other reproductive harm). (California Health & Safety Code § 25249.5, *et seq.*)
12. **WARNING:** People with pacemakers should consult their physician(s) before using this product. Operation of electrical equipment in close proximity to a heart pacemaker could cause interference to or failure of the pacemaker.

REV 02/04, 08/04, 10/04

TO EXTEND THE LIFE OF YOUR AIR TOOLS AND EQUIPMENT, it is recommended to install an oiler and water filter in series (available from Harbor Freight Tools) with the Air Output Line of the Air Compressor. **(See Figure B.)**



UNPACKING

When unpacking, check to make sure all the parts shown on the **Parts Lists on pages 10, and 11** are included. If any parts are missing or broken, please call Harbor Freight Tools at the number shown on the cover of this manual as soon as possible.

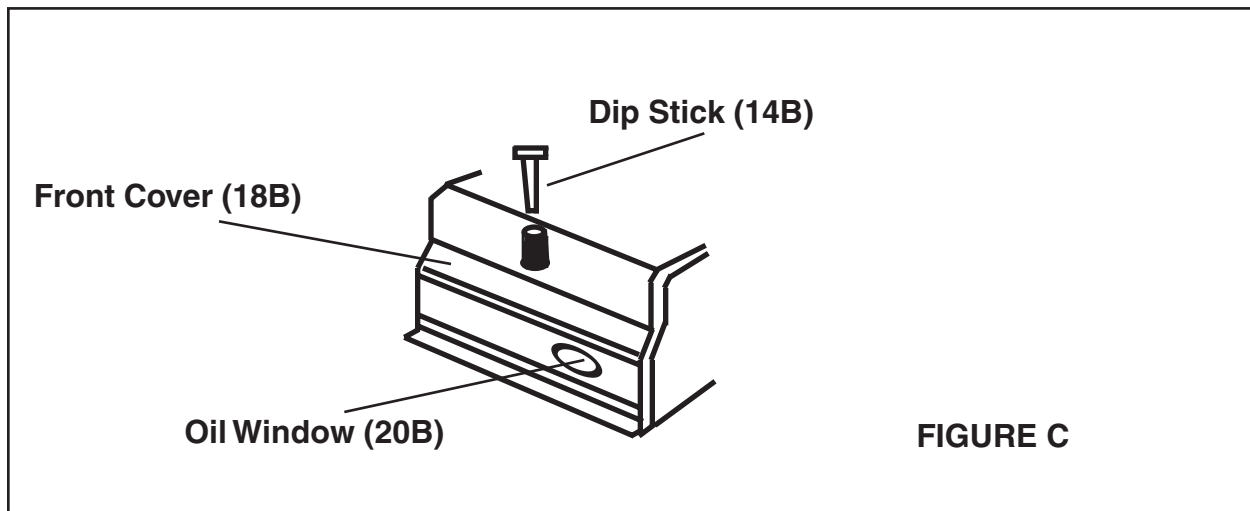
OPERATING INSTRUCTIONS

NOTE: For additional references to the parts listed below, refer to the **Assembly Diagrams on pages 10, and 11.**

To Check The Oil Level:

1. The Oil Window (20B) is used to determine if oil is needed. The oil level should always be at the maximum level (red line on the Oil Window). **(See Figure C, and Assy. Diagram B.)**

2. If necessary, add a *premium quality, 30-weight, non-detergent oil* into the Oil Fill Hole until the level of oil reaches the maximum level as indicated on the Oil Window (20B). The optimal capacity of the oil reservoir is 30 ounces. Do not overfill. Then thread the Dip Stick back into the Oil Fill Hole, being careful not to strip the plastic threads. (See Figure C, and Assy. Diagram B.)



To Turn The Air Compressor On:

1. Check to make sure the Water Drain Valve (10A) is fully closed. (See Assy. Diagram A.)
2. Turn the Air Flow Valve (6A) to its “OFF” position. (See Assy. Diagram A.)
3. Connect the air hose (not provided) to the Air Flow Valve (6A) of the Air Compressor. Then, connect the other end of the air hose to the pneumatic tool (not provided) that is to be used. (See Assy. Diagram A.)
4. **Note: Always plug the Power Cord of the Air Compressor into a 115V electrical source ($\pm 10\%$ maximum variation).**
5. Pull **up** on the “ON/OFF” Power Switch (1A) to turn the Air Compressor **on**. (Push **down** on the “ON/OFF” Power Switch to turn the Air Compressor **off**.) (See Assy. Diagram A.)
6. Allow sufficient time for the Tank Pressure Gauge (4A) to indicate **80 PSI** before using the Air Compressor. (See Assy. Diagram A.)
7. Turn the Air Flow Valve (6A) to its “ON” position to allow air to the pneumatic tool. (See Assy. Diagram A.)

8. **NOTE:** With the Air Compressor turned on, the operation is automatic and under the control of the automatic switches inside the box under the Power Switch (1A). **NEVER open the power switch box or adjust the controls within.**

To Adjust The Air Output To The Pneumatic Tool:

1. **NOTE:** When adjusting the air pressure being forwarded to the pneumatic tool, you will need to compare the pressure readings of both the Tank Pressure Gauge (3A) and the Tool Pressure Gauge (4A). The reading on the Tank Pressure Gauge dictates the maximum/minimum air pressure at which the Tool Pressure Gauge may also be set. **(See Assy. Diagram A.)**
2. With the Air Compressor running, and the air hose and pneumatic tool hooked up to the Air Compressor, pull up on the Tool Pressure Adjuster (2A). Turn the Tool Pressure Adjuster **clockwise to increase** the air output to the tool, up to the working air pressure (115 PSI) as indicated on the Tank Pressure Gauge (3A). **(See Assy. Diagram A.)**
3. Turn the Tool Pressure Adjuster (2A) **counterclockwise to decrease** the air output to the tool, down to the minimum rated pressure (0 PSI) as indicated on the Tank Pressure Gauge (3A). **(See Assy. Diagram.)**

To Use The Tank Pressure Relief Valve:

1. The Tank Pressure Relief Valve Ring (5A) is used when decompression is needed quickly and efficiently. **(See Assy. Diagram A.)**
2. To decompress the Air Tank (9A) pressure, press the “ON/OFF” Power Switch (1A) down to turn off the Air Compressor. **(See Assy. Diagram A.)**
3. Pull out on the Tank Pressure Relief Valve Ring (5A) to immediately release air pressure in the Air Tank (9A). **(See Assy. Diagram A.)**

To Empty Air And Condensation From The Tank:

1. The Water Drain Valve (10A) is located underneath the Air Tank (9A), and should be used daily to release all trapped moisture through this valve. The Water Drain Valve will also eliminate condensation that may cause Air Tank corrosion. **(See Assy. Diagram A.)**
2. **WARNING: Do not open the Water Drain Valve (10A) so that more than four threads are showing.**
3. Push down on the “ON/OFF” Power Switch (1A) to turn off the Air Compressor. Then, unplug the Air Compressor’s Power Cord from the electrical outlet. **(See Assy. Diagram A.)**
4. Slowly and carefully unscrew (no more than four threads) the Water Drain Valve (10A) until the compressed air and condensation begins to be released from the Air Tank (9A). Allow sufficient time for all of the air and condensation to escape from the Air Tank. Then, firmly retighten the Water Drain Valve. **(See Assy. Diagram A.)**

REV 01/05; 08/05

Reference: Overload Switch (#35B)

The overload breaker will trip if an over-current condition is sensed, stopping the motor. If this occurs, shut off the pressure switch and wait at least 5 minutes. Release the air pressure in the tank to ease restarting. Then press the breaker button to reset it, and turn on the pressure switch.

INSPECTION, MAINTENANCE, AND CLEANING

1. **CAUTION:** Always disconnect the Air Compressor from its electrical supply source before performing any inspection, maintenance, or cleaning.
2. **BEFORE EACH USE,** inspect the general condition of the Air Compressor. Check all air fittings for leaks. Check for loose screws, misalignment or binding of moving parts, cracked or broken parts, damaged power cord and plug, and any other condition that may affect the safe operation of this tool. If abnormal noise or vibration occurs, immediately disconnect the Air Compressor from its electrical supply source and have the problem corrected before further use.
Do not use damaged equipment.
3. **DAILY:** Check the Air Compressor oil level. If necessary, fill with a premium quality, 30-weight, non-detergent oil. **NOTE:** When checking the oil level, make sure to **unscrew** (do not pull) the Dip Stick (14B). (See Assy. Diagram B.)
4. **DAILY:** Purge the Air Tank (9A) of all air and moisture to prevent corrosion. To do so, slowly and carefully unscrew (no more than four threads) the Water Drain Valve (10A) until the compressed air and condensation begins to be released from the Air Tank. Allow sufficient time for all of the air and condensation to escape from the Air Tank. Then, firmly retighten the Water Drain Valve. (See Assy. Diagram A.)
5. **EVERY 100 HOURS OF USE:** Clean the Air Filter (7A) with a mild solvent. Then, dry and reattach the Air Filter. **NOTE:** Replace the Air Filter if it is too dirty to properly clean. (See Assy. Diagram A.)
6. **EVERY 500 HOURS OR 12 MONTHS:** Replace the old oil with new, premium quality, 30-weight, non-detergent oil.
7. **TO CLEAN:** wipe with a damp cloth, using a mild detergent or mild solvent.
8. **WHEN STORING:** Keep the Air Compressor in a clean, dry location.

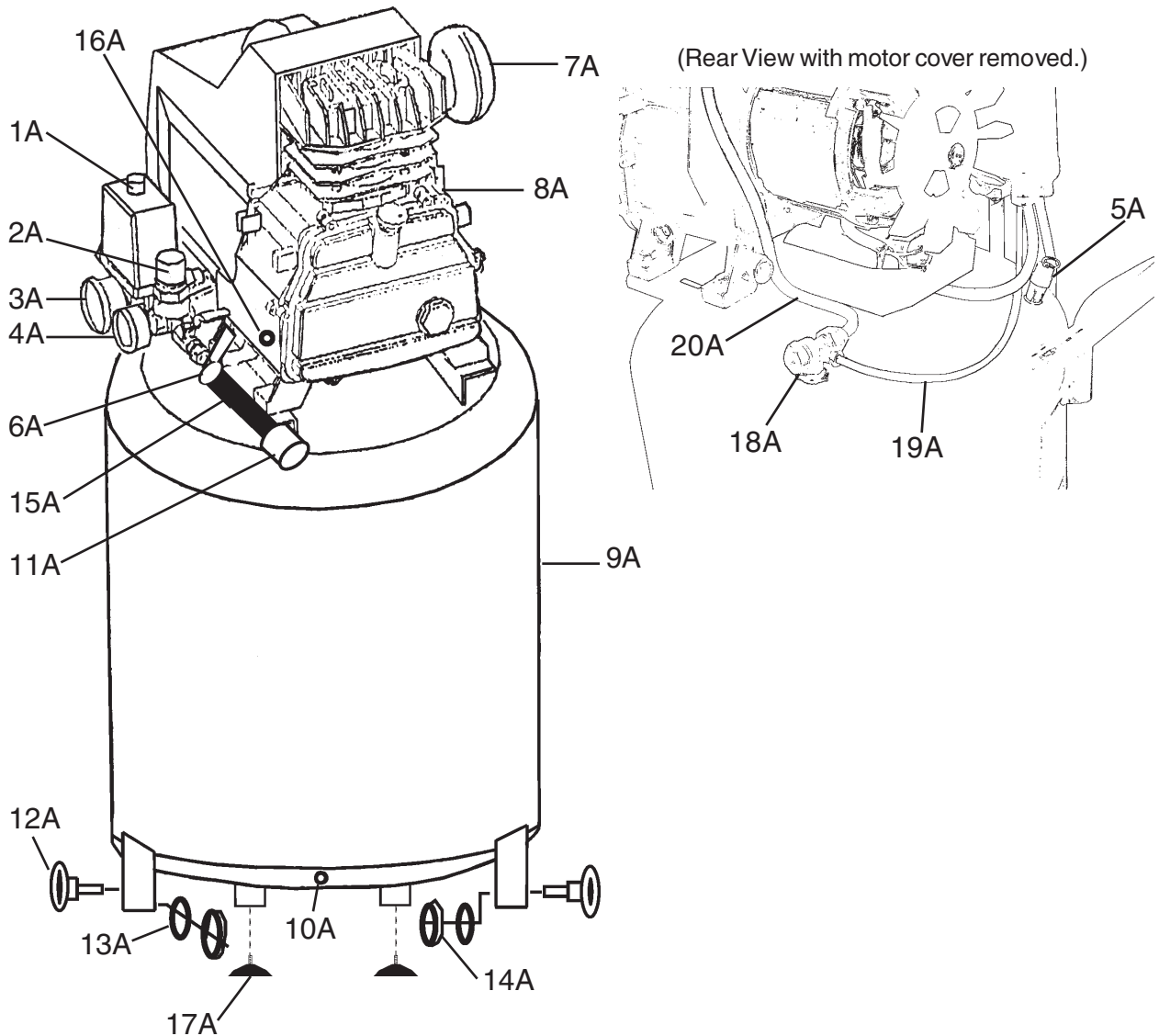
PLEASE READ THE FOLLOWING CAREFULLY

THE MANUFACTURER AND/OR DISTRIBUTOR HAS PROVIDED THE PARTS LIST AND ASSEMBLY DIAGRAM IN THIS MANUAL AS A REFERENCE TOOL ONLY. NEITHER THE MANUFACTURER OR DISTRIBUTOR MAKES ANY REPRESENTATION OR WARRANTY OF ANY KIND TO THE BUYER THAT HE OR SHE IS QUALIFIED TO MAKE ANY REPAIRS TO THE PRODUCT, OR THAT HE OR SHE IS QUALIFIED TO REPLACE ANY PARTS OF THE PRODUCT. IN FACT, THE MANUFACTURER AND/OR DISTRIBUTOR EXPRESSLY STATES THAT ALL REPAIRS AND PARTS REPLACEMENTS SHOULD BE UNDERTAKEN BY CERTIFIED AND LICENSED TECHNICIANS, AND NOT BY THE BUYER. THE BUYER ASSUMES ALL RISK AND LIABILITY ARISING OUT OF HIS OR HER REPAIRS TO THE ORIGINAL PRODUCT OR REPLACEMENT PARTS THERETO, OR ARISING OUT OF HIS OR HER INSTALLATION OF REPLACEMENT PARTS THERETO.

REV 02/04; REV 03/05

PARTS LIST A / ASSEMBLY DIAGRAM

Part	Description	Qty.	Part	Description	Qty.
1A	ON/OFF Power Switch	1	11A	Quick Release Coupler	1
2A	Tool Pressure Adjuster	1	12A	Rubber Wheel	2
3A	Tank Pressure Gauge	1	13A	Washer	2
4A	Tool Pressure Gauge	1	14A	Nut	2
5A	Pressure Release Valve	1	15A	Fitting	1
6A	Air Flow Valve	1	16A	Oil Drain Plug with Gasket	1
7A	Air Filter	1	17A	Foot	2
8A	Air Flow Lid	1	18A	Unloader Valve	1
9A	Air Tank	1	19A	Polyurethane Unloader Tube	1
10A	Water Drain Valve	1	20A	Copper Air Tube	1

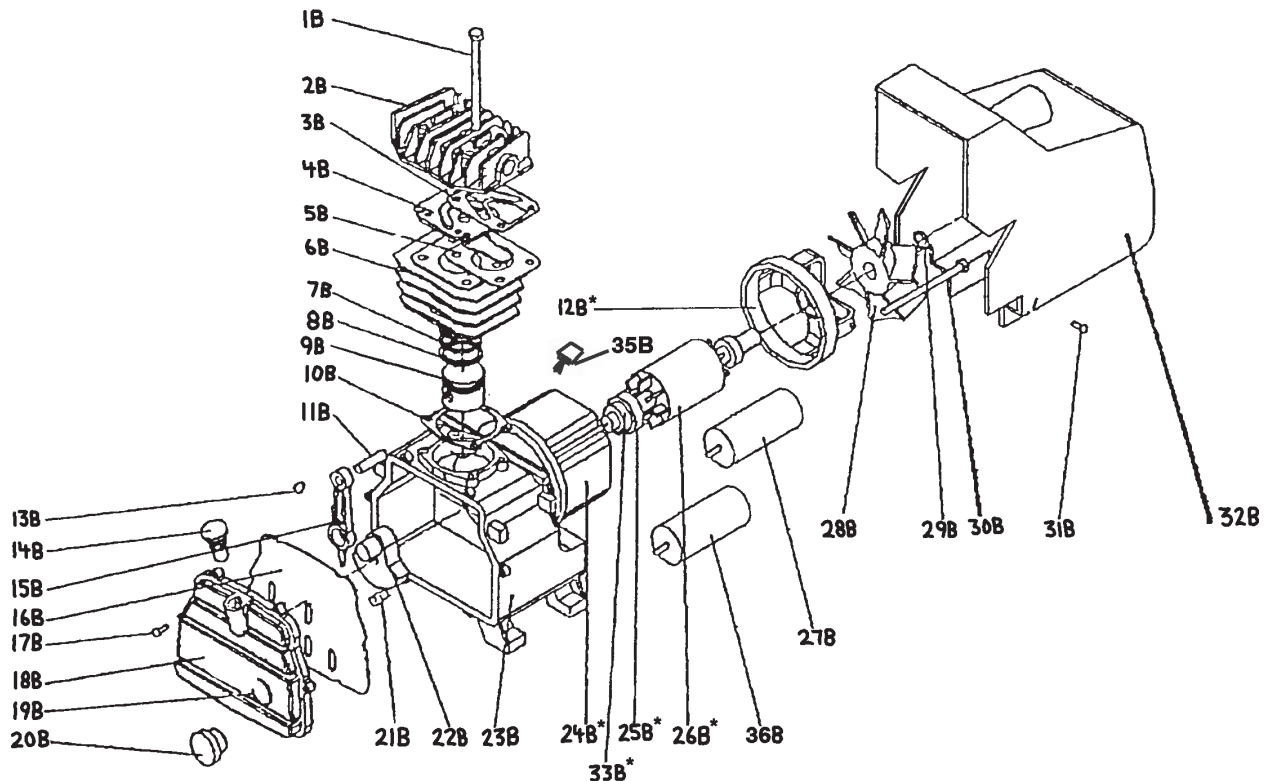


REV 11/02; 05/04; 08/04; 11/04; 12/04

PARTS LIST B / ASSEMBLY DIAGRAM B

Part	Description	Qty.	Part	Description	Qty.
1B	Bolt	4	19B	Gasket	1
2B	Cylinder Case	1	20B	Oil Window	1
3B	Gasket	1	21B	Crankshaft Bolt	1
4B	Valve Seat	1	22B	Crankshaft	1
5B	Gasket	1	23B	Crankshaft Case	1
6B	Cylinder	1	24B*	Stator	1
7B	Compression Ring	2	25B*	Bearing	2
8B	Oil Scraping Ring	1	26B*	Armature	1
9B	Piston	1	27B	Start Capacitor, 70 μ F \pm 5% bMK	1
10B	Gasket	1	28B	Radiating Fan Wheel	1
11B	Piston Pin	1	29B	Retainer Ring	1
12B*	End Cover	1	30B	Bolt	4
13B	Crankshaft Retainer	2	31B	Screw	2
14B	Dip Stick	1	32B	Radiating Cover	1
15B	Connecting Rod	1	33B*	Seal Washer	1
16B	Gasket	1	34B	Motor Assembly	1
17B	Bolt	6	35B	Overload Switch	1
18B	Front Cover	1	36B	Run Capacitor, 50 μ F \pm 5% bMK	1

*Not available individually. Must be ordered as entire Motor Assembly (See part #34B).



NOTE: Some parts are listed and shown for illustration purposes only, and are not available individually as replacement parts.

REV 12/04