



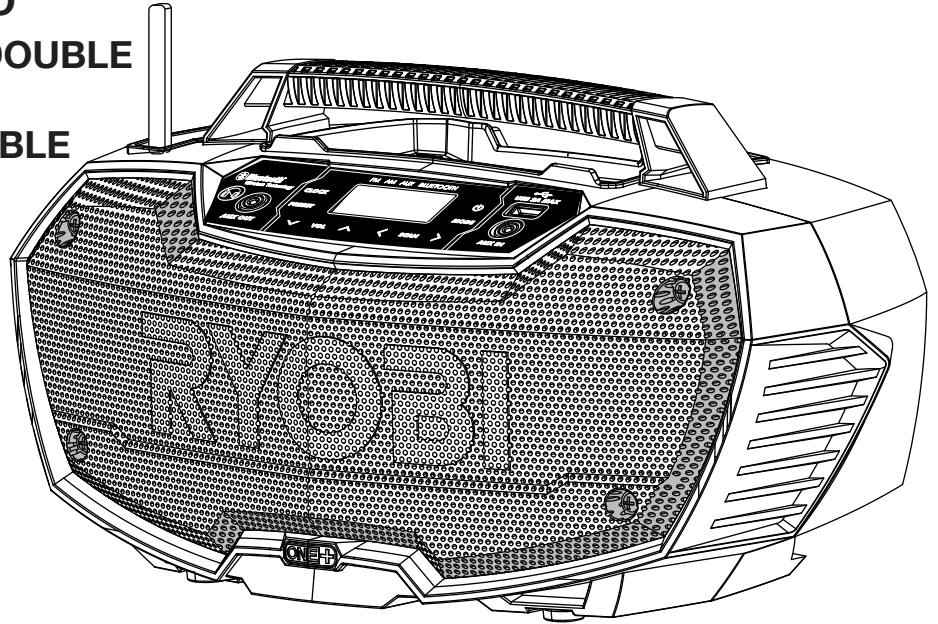
**REGISTER YOUR TOOLS**  
<http://register.ryobitools.com>  
 1-800-525-2579

# OPERATOR'S MANUAL

MANUEL D'UTILISATION  
 MANUAL DEL OPERADOR

18V DUAL POWER STEREO  
 STÉRÉO À ALIMENTATION DOUBLE  
 DE 18 V  
 ESTÉREO DE POTENCIA DOBLE  
 DE 18 V

**P746/P746ID**



FCC ID: VMZP746ID

## TABLE OF CONTENTS

\*\*\*\*\*

- Important Safety Instructions .....2-3
- Symbols..... 4
- Electrical.....5
- Assembly.....5
- Operation.....6-9
- Maintenance..... 9
- Illustrations .....11-13
- Parts Ordering/Service.....Back page

## TABLE DES MATIÈRES

\*\*\*\*\*

- Instructions importantes concernant la sécurité.....2-3
- Symboles..... 4
- Caractéristiques électriques.....5
- Assemblage.....5
- Utilisation.....6-9
- Entretien ..... 9
- Illustrations .....11-13
- Commande de pièces/dépannage .....Page arrière

## ÍNDICE DE CONTENIDO

\*\*\*\*\*

- Instrucciones de seguridad importantes..... 2-3
- Símbolos ..... 4
- Aspectos eléctricos .....5
- Armado.....5
- Funcionamiento.....6-9
- Mantenimiento..... 9
- Ilustraciones .....11-13
- Pedidos de repuestos/servicio..... Pág. posterior

**⚠ WARNING:** To reduce the risk of injury, the user must read and understand the operator's manual before using this product.

**⚠ AVERTISSEMENT :** Pour réduire les risques de blessures, l'utilisateur doit lire et veiller à bien comprendre le manuel d'utilisation avant d'employer ce produit.

**⚠ ADVERTENCIA:** Para reducir el riesgo de lesiones, el usuario debe leer y comprender el manual del operador antes de usar este producto.

**SAVE THIS MANUAL FOR FUTURE REFERENCE**

**CONSERVER CE MANUEL POUR FUTURE RÉFÉRENCE**

**GUARDE ESTE MANUAL PARA FUTURAS CONSULTAS**

# IMPORTANT SAFETY INSTRUCTIONS

## **WARNING!**

**READ THESE INSTRUCTIONS.** Failure to follow all instructions listed below, may result in electric shock, fire and/or serious personal injury.

## **KEEP THESE INSTRUCTIONS HEED ALL WARNINGS FOLLOW ALL INSTRUCTIONS**

- **Do not use this apparatus near water.**
- **Clean only with dry cloth.**
- **Do not block any ventilation openings.** Install in accordance with the manufacturer's instructions.
- **Do not install near any heat sources such as radiators, heat registers, stoves, or other apparatus (including amplifiers) that produce heat.**
- **Only use attachments/accessories specified by the manufacturer.**
- **Know your product. Read operator's manual carefully. Learn its applications and limitations, as well as the specific potential hazards related to this product.** Following this rule will reduce the risk of electric shock, fire, or serious injury.
- **Do not operate products in explosive atmospheres, such as in the presence of flammable liquids, gases, or dust.** Products create sparks which may ignite the dust or fumes.

## **ELECTRICAL SAFETY**

- **A battery operated product with integral batteries or a separate battery pack must be recharged only with the specified charger for the battery.** A charger that may be suitable for one type of battery may create a risk of fire when used with another battery.
- **Use battery operated product only with specifically designated battery pack.** Use of any other batteries may create a risk of fire.
- **Use this product only with batteries and chargers listed in tool/appliance/battery pack/charger correlation supplement 987000-432.**
- **Do not defeat the safety purpose of the polarized or grounding-type plug.** A polarized plug has two blades with one wider than the other. A grounding type plug has two blades and a third grounding prong. The wide blade or the third prong are provided for your safety. If the provided plug does not fit into your outlet, consult an electrician for replacement of the obsolete outlet.
- **Protect the power cord from being walked on or pinched particularly at plugs, convenience receptacles, and the point where they exit from the apparatus.**

- **Unplug this apparatus during lightning storms or when unused for long periods of time.**
- **WARNING:** To reduce the risk of fire or electric shock, do not expose this apparatus to rain or moisture. Apparatus shall not be exposed to dripping or splashing and no objects filled with liquids, such as vases, shall be placed on the apparatus.

## **PERSONAL SAFETY**

- **Do not use on a ladder or unstable support.** Stable footing on a solid surface enables better control of the product in unexpected situations.
- **Do not use the radio to listen to music or other audio programs while operating machinery.** Doing so may cause distractions that could result in serious personal injury.
- **This radio is capable of producing sound levels that can be dangerous to long-term hearing.** Listening to music at high volume for any period of time may cause noise-induced hearing loss. The higher the volume, the less time required before your hearing may be affected.

## **PRODUCT USE AND CARE**

- **When battery pack is not in use, keep it away from other metal objects like: paper clips, coins, keys, nails, screws, or other small metal objects that can make a connection from one terminal to another.** Shorting the battery terminals together may cause sparks, burns, or a fire.
- **Keep the radio and its handle dry, clean and free from oil and grease.** Always use a clean cloth when cleaning. Never use brake fluids, gasoline, petroleum-based products, or any strong solvents to clean the radio. Following this rule will reduce the risk of loss of control and deterioration of the enclosure plastic.
- **Battery products do not have to be plugged into an electrical outlet; therefore, they are always in operating condition. Be aware of possible hazards when not using your battery product or when changing accessories.** Following this rule will reduce the risk of electric shock, fire, or serious personal injury.
- **Do not place battery products or their batteries near fire or heat.** This will reduce the risk of explosion and possibly injury.
- **Do not crush, drop or damage battery pack. Do not use a battery pack or charger that has been dropped or received a sharp blow.** A damaged battery is subject to explosion. Properly dispose of a dropped or damaged battery immediately.

# IMPORTANT SAFETY INSTRUCTIONS




- **Batteries can explode in the presence of a source of ignition, such as a pilot light.** To reduce the risk of serious personal injury, never use any cordless product in the presence of open flame. An exploded battery can propel debris and chemicals. If exposed, flush with water immediately.
- **Do not charge battery product in a damp or wet location.** Following this rule will reduce the risk of electric shock.
- **Under extreme usage or temperature conditions, battery leakage may occur. If liquid comes in contact with your skin, wash immediately with soap and water. If liquid gets into your eyes, flush them with clean water for at least 10 minutes, then seek immediate medical attention.** Following this rule will reduce the risk of serious personal injury.
- **To reduce the risk of personal injury and electric shock, the product should not be played with or placed where small children can reach it.**

## SERVICE








- **Product service must be performed only by qualified repair personnel.** Service or maintenance performed by unqualified personnel may result in a risk of injury.
- **When servicing a product, use only identical replacement parts. Follow instructions in the Maintenance section of this manual.** Use of unauthorized parts or failure to follow Maintenance Instructions may create a risk of shock or injury.
- **Refer all servicing to qualified service personnel.** Servicing is required when the apparatus has been damaged in any way, such as power-supply cord or plug is damaged, liquid has been spilled or objects have fallen into the apparatus, the apparatus has been exposed to rain or moisture, does not operate normally, or has been dropped.
- **Save these instructions.** Refer to them frequently and use them to instruct others who may use this product. If you loan someone this product, loan them these instructions also.

# SYMBOLS

The following signal words and meanings are intended to explain the levels of risk associated with this product.

SYMBOL	SIGNAL	MEANING
	<b>DANGER:</b>	Indicates a hazardous situation, which, if not avoided, will result in death or serious injury.
	<b>WARNING:</b>	Indicates a hazardous situation, which, if not avoided, could result in death or serious injury.
	<b>CAUTION:</b>	Indicates a hazardous situation, that, if not avoided, may result in minor or moderate injury.
	<b>NOTICE:</b>	(Without Safety Alert Symbol) Indicates information considered important, but not related to a potential injury (e.g. messages relating to property damage).

Some of the following symbols may be used on this product. Please study them and learn their meaning. Proper interpretation of these symbols will allow you to operate the product better and safer.

SYMBOL	NAME	DESIGNATION/EXPLANATION
	Safety Alert	Indicates a potential personal injury hazard.
	Read Operator's Manual	To reduce the risk of injury, user must read and understand operator's manual before using this product.
	Eye Protection	Always wear eye protection with side shields marked to comply with ANSI Z87.1.
	Electric Shock Alert	Indicates uninsulated material within the unit that may cause electrical shock. Do not remove product covering.
	Wet Conditions Alert	Do not expose to rain or use in damp locations.
	Recycle Symbol	This product uses lithium-ion (Li-ion) batteries. Local, state or federal laws may prohibit disposal of batteries in ordinary trash. Consult your local waste authority for information regarding available recycling and/or disposal options.
V	Volts	Voltage
A	Amperes	Current
Hz	Hertz	Frequency (cycles per second)
W	Watt	Power
min	Minutes	Time
≡	Direct Current	Type or a characteristic of current
~	Alternating Current	Type of current
	Class II Tool	Double-insulated construction

# ELECTRICAL

## DOUBLE INSULATION

Double insulation is a concept in safety in electric power tools, which eliminates the need for the usual three-wire grounded power cord. All exposed metal parts are isolated from the internal metal motor components with protecting insulation. Double insulated tools do not need to be grounded.

### **WARNING:**

The double insulated system is intended to protect the user from shock resulting from a break in the tool's internal insulation. Observe all normal safety precautions to avoid electrical shock.

**NOTE:** Servicing of a product with double insulation requires extreme care and knowledge of the system and should be performed only by a qualified service technician. For service, we suggest you return the product to your nearest authorized service center for repair. Always use original factory replacement parts when servicing.

## ELECTRICAL CONNECTION

This product should be connected to a **power supply that is 120 volts, AC only (normal household current), 60 Hz.** Do not operate this product on direct current (DC) through the power cord. A substantial voltage drop will cause a loss of power. If the product does not operate when plugged into an outlet, double-check the power supply.

## EXTENSION CORDS

When using a power tool at a considerable distance from a power source, be sure to use an extension cord that has the capacity to handle the current the product will draw. An undersized cord will cause a drop in line voltage, resulting in overheating and loss of power. Use the chart to determine

the minimum wire size required in an extension cord. Only round jacketed cords listed by Underwriter's Laboratories (UL) should be used.

When working outdoors with a product, use an extension cord that is designed for outside use. This type of cord is designated with "W-A" or "W" on the cord's jacket.

Before using any extension cord, inspect it for loose or exposed wires and cut or worn insulation.

\*\*Ampere rating (on product data plate)

Cord Length	Wire Size (A.W.G.)					
	0-2.0	2.1-3.4	3.5-5.0	5.1-7.0	7.1-12.0	12.1-16.0
25'	16	16	16	16	14	14
50'	16	16	16	14	14	12
100'	16	16	14	12	10	—

\*\*Used on 12 gauge - 20 amp circuit.

**NOTE:** AWG = American Wire Gauge

### **WARNING:**

Keep the extension cord clear of the working area. Position the cord so that it will not get caught on lumber, tools, or other obstructions while you are working with this product. Failure to do so can result in serious personal injury.

### **WARNING:**

Check extension cords before each use. If damaged replace immediately. Never use a product with a damaged cord since touching the damaged area could cause electrical shock resulting in serious injury.

# ASSEMBLY

### **WARNING:**

Do not use this product if it is not completely assembled or if any parts appear to be missing or damaged. Use of a product that is not properly and completely assembled or with damaged or missing parts could result in serious personal injury.

### **WARNING:**

Do not attempt to modify this product or create accessories or attachments not recommended for use with this product. Any such alteration or modification is misuse and could result in a hazardous condition leading to possible serious personal injury.

If any parts are damaged or missing, please call 1-800-525-2579 for assistance.

# OPERATION

## **WARNING:**

Do not allow familiarity with this product to make you careless. Remember that a careless fraction of a second is sufficient to inflict serious injury.

## **WARNING:**

Always remove the battery pack from the product and disconnect from the power supply when you are assembling parts, cleaning, or when not in use. Removing battery pack or unplugging extension cord will prevent accidental starting that could cause serious personal injury.

## **NOTICE:**

Always refer to the manual for any device recommended for use as an attachment or accessory. Proper use of any device, when attached to the radio, is the sole responsibility of the operator. Improper use may damage the device or the product.

## **WARNING:**

This radio is capable of producing sound levels that can be dangerous to long-term hearing. Listening to music at high volume for any period of time can cause noise-induced hearing loss. The higher the volume, the less time required before your hearing could be affected.

## **APPLICATIONS**

You may use this product for the following purposes:

- Listening to FM/AM radio, MP3 players, CD players, and other audio devices; charging USB-capable devices.

## **INSTALLING/REPLACING CLOCK/MEMORY AAA BATTERIES**

See Figure 1, page 11.

It is advisable to write down saved channels before replacing the AAA batteries.

There is a 15-second time frame for replacing the AAA batteries. If the batteries are not replaced within 15 seconds, the stereo will lose all settings previously stored in memory, and they will require reprogramming.

Always use new alkaline batteries for replacement.

- Loosen the screw in the battery door. Remove door and set aside.
- Install two new AAA batteries according to polarity indicators inside the battery compartment.

**NOTE:** Do not mix old and new batteries. Do not mix alkaline, standard (carbon-zinc), or rechargeable (nickel-cadmium) batteries.

## **INSTALLING/REMOVING BATTERY PACK**

See Figure 2, page 11.

### **To install battery pack:**

- Place the battery pack in the stereo, aligning the rib on the battery pack with the groove in the stereo's battery port.
- Make sure the latches on the battery pack snap into place and the battery pack is secured to the stereo before beginning operation.

**NOTE:** Leaving the battery pack connected for long periods of time may drain the battery pack. Always disconnect battery packs after use.

### **To remove battery pack:**

- Depress the latches on both sides to release the battery pack from the stereo.

**NOTE:** Always remove battery pack from stereo when not in use.

**NOTE:** The battery pack should be recharged after approximately five hours of use to reduce the possibility of damage. Repeated deep discharge of the battery may decrease storage capacity and battery life.

For complete charging instructions, see the operator's manuals for your battery pack and charger.

## **INSTALLING/REMOVING POWER CORD**

See Figure 3, page 12.

- Push the **ON/OFF** button to turn the stereo **OFF**.
- Depress the latches on both sides to release the battery pack from the stereo.
- Insert the female end of the power cord into the product as shown.
- Connect the male end of the power cord to the power source.
- Make sure the power cord is secured before beginning operation.

## **LCD DISPLAY**

See Figure 4, page 12.

**NOTE:** The illustrations of the LCD display shown in this manual are only examples of the frequencies you may see on your stereo and are not the exact frequencies that you may choose to listen to.

When the stereo is not connected to a power supply, the LCD display will remain off. If the stereo is connected to a power supply and in the **ON** position, LEDs will light the display. You can view the time, frequency, and settings in use on the LCD display.

# OPERATION

**NOTE:** Always disconnect battery packs after use to prevent draining the battery pack.

## SETTING THE CLOCK

See Figure 4, page 12.

**NOTE:** Install the battery pack or connect the power cord to a power supply before setting the clock.

Press the **CLOCK** button to view the frequency in the digital display for 10 seconds. The display will return to the current time after 10 seconds.

**NOTE:** In all modes, the time is the default display.

### To set the clock:

- Press the **CLOCK** button until the time is displayed on the digital display.
- Press and hold the **CLOCK** button. The number representing the hours will blink on and off.
- Press the **VOL UP** or **VOL DOWN** button to set the hour.  
**NOTE:** To set the clock to an hour between noon and midnight, press the **VOL UP** or **VOL DOWN** button until "PM" appears in the display.
- Press the **CLOCK** button. The number representing the minutes will blink on and off.
- Press the **VOL UP** or **VOL DOWN** button to set the minutes.
- Press the **CLOCK** button. The clock is now set.

**NOTE:** If AAA batteries are removed or lose charge for more than 15 seconds, clock settings will be lost. Settings are not affected by the removal of the 18 V battery.

## TURNING THE STEREO ON/OFF

See Figure 4, page 12.

Push the **ON/OFF** button to turn the stereo ON or OFF.

**NOTE:** You may need to keep the button pressed for up to 3 seconds before the stereo will start. If this happens, replace the stereo's AAA batteries.

To help preserve battery power, the stereo will automatically enter sleep mode approximately 1 hour after it is turned off. To exit sleep mode and restart the stereo, you must use the **ON/OFF** button on the stereo.

## ADJUSTING THE VOLUME

See Figure 4, page 12.

When the stereo is turned ON, it will return to the last volume setting used.

**NOTE:** If the 18V battery is removed from the stereo or has no charge, the stereo will return to the default volume setting.

- **To increase the volume:** push the **VOL UP** button.
- **To decrease the volume:** push the **VOL DOWN** button.

**NOTE:** To change volume quickly, hold the **VOL UP** or **VOL DOWN** button.

### NOTICE:

Do not use the stereo at maximum volume for an extended period of time with the bass and treble at maximum levels. It could cause damage to the speakers and/or amplifiers in your unit.

## TONE CONTROL

See Figure 4, page 12.

The bass and treble settings are adjustable.

### To adjust the bass settings:

- Press and hold the **MODE** button until **b (Bass)** appears.
- Press **VOL UP** or **VOL DOWN** arrow buttons as desired to increase or decrease bass (-5 to +5).

### To adjust the treble settings:

- Press and hold the **MODE** button until **b (Bass)** appears. Immediately press again until **t (Treble)** appears.
- Press **VOL UP** or **VOL DOWN** arrow buttons as desired to increase or decrease treble (-5 to +5).

## MODE SELECTION

See Figure 4, page 12.

Press the **MODE** button to cycle through available modes. There are four modes to choose from:

- FM mode
- AM mode
- AUX mode
- BLUETOOTH® mode

## FM/AM TUNING

See Figure 4, page 12.

The **SCAN** left and right arrow buttons are used to tune to the desired radio frequency. The selected frequency is displayed on the LCD.

- Press and release the **SCAN** left arrow button to tune to a lower frequency. Press and release the **SCAN** right arrow button to tune to a higher frequency.
- Briefly push either button (not press and hold) to tune one frequency step at a time.
- To SEEK, press and hold desired arrow button for 1 second to tune to the next frequency with clear reception.

# OPERATION

## STORING A PRESET IN MEMORY

See Figure 4, page 12.

The memory feature saves up to 20 frequencies as presets in the stereo's memory. You can save 10 frequencies in FM mode and 10 in AM mode.

### To store a frequency in memory:

- Tune to the frequency you want to save.
- Press and hold the **PRESET** button. A memory location number will blink on and off.
- Press the **SCAN** button to select a memory location.
- Press the **PRESET** button to store the frequency in the selected memory location.

### To recall a preset frequency:

- Press the **PRESET** button and quickly release to cycle through stored frequencies.

## AUXILIARY MODE

See Figure 5, page 13.

The portable stereo can be used as an amplifier for MP3 players, CD players, smartphones, tablets, and other music devices.

### To use the auxiliary mode:

- Push the **MODE** button to select the **AUX** mode.
- Connect the included auxiliary cable to the external device.
- Connect the other end of the auxiliary cable to the **AUX IN** port.

- The device tray may be used to store your external device.

**NOTE:** The device tray cannot secure external devices.

- The external device must be ON and in PLAY mode for sound to be heard through the speakers.
- All external device controls can be used normally while connected to the stereo.

**NOTE:** Volume for any device connected through the auxiliary connector can be adjusted using the volume control for that device and/or with the **VOL UP** or **VOL DOWN** buttons on the stereo.

- Turning the stereo OFF will NOT turn the external device OFF.
- The auxiliary cable DOES NOT provide charging function.
- For complete operating instructions for all external devices, always refer to the manual that was included with your model.
- The **AUX OUT** port is for connecting external speakers only.

**NOTE:** Do not plug headphones into the **AUX OUT** port. The volume for this port is set to maximum level and cannot be lowered with the **VOL DOWN** button.

## USB DEDICATED CHARGING PORT

See Figure 5 - 6, page 13.

The USB dedicated charging port provides charging power of up to 2 Amps for your cell phone, MP3 player, tablet, or other USB devices.

### **NOTICE:**

Attempting to charge devices rated more than 2 Amps could damage the USB dedicated charging port and/or the device.

- Connect one end of a USB cable (not provided) to your USB device.
- Connect the other end of the USB cable (not provided) to the USB dedicated charging port to begin charging the device.

**NOTE:** The USB dedicated charging port provides power only; it does not provide any communication capabilities.

- When the stereo is operating on battery power, the USB dedicated charging port will continue to function for approximately 1 hour after turning the stereo OFF. If the stereo remains inactive after this time, charging will stop. Turn the stereo on to resume operation.

## USING A BLUETOOTH® ENABLED DEVICE (NOT INCLUDED) WITH THE STEREO

See Figure 7, page 13.

- Press the **MODE** button until the **BLUETOOTH®** mode is highlighted.
- When the stereo is switched to **BLUETOOTH®** mode, the unit receives a **BLUETOOTH®** signal and "**bt**" flashes in the LCD display.

**NOTE:** The stereo will automatically attempt to connect to the last device it was paired to. If a connection cannot be established within five seconds, the stereo will make itself available to other **BLUETOOTH®** enabled devices.

- Devices enabled for **BLUETOOTH®** must be in range of the signal and set to search/scan in order to pair with the stereo.
- Select "RYOBI STEREO" from your device's list of available **BLUETOOTH®** signals to pair the device and the stereo. No password or PIN is required for connection.
- When the device has successfully paired with the stereo, the time will appear on the LCD display.

**NOTE:** When a device is paired to the stereo, information for connecting to the device is saved in the stereo's memory.

- When streaming audio from a **BLUETOOTH®** enabled device, press the **SCAN** left or **SCAN** right button to go to the previous or next track. Briefly press and release the **PRESET** button to cycle between pausing and playing the audio.



## OPERATION

**NOTE:** These controls may not be supported by the BLUETOOTH® device and/or application you are using.

- To disconnect the BLUETOOTH® enabled device, press and hold the **PRESET** button. When the device is disconnected, “**bt**” reappears in the LCD display and the stereo begins searching for a BLUETOOTH® signal.

### FOLD-DOWN FLEXIBLE ANTENNA

*See Figure 8, page 13.*

To decrease interference or electrical noise, extend the antenna or move the stereo to a higher elevation. The antenna folds down and out of the way when not in use.

## MAINTENANCE

### **WARNING:**

Always remove the battery pack from the product and disconnect from the power supply when you are assembling parts, cleaning, or when not in use. Removing battery pack or unplugging extension cord will prevent accidental starting that could cause serious personal injury.

### **WARNING:**

When servicing, use only identical replacement parts. Use of any other part could create a hazard or cause product damage.

### GENERAL MAINTENANCE

Avoid using solvents when cleaning plastic parts. Most plastics are susceptible to damage from various types of commercial solvents and can be damaged by their use. Use clean cloths to remove dirt, dust, oil, grease, etc.

**NOTE: ILLUSTRATIONS START ON PAGE 11  
AFTER FRENCH AND SPANISH LANGUAGE SECTIONS.**

## FCC COMPLIANCE

### **WARNING:**

Changes or modifications to this unit not expressly approved by the party responsible for compliance could void the user's authority to operate the equipment.

This device complies with part 15 of the FCC rules. Operation is subject to the following two conditions: (1) this device may not cause harmful interference, and (2) this device must accept any interference received, including interference that may cause undesired operation.

**NOTE:** The grantee is not responsible for any changes or modifications not expressly approved by the party responsible for compliance. Such modifications could void the user's authority to operate the equipment.

**NOTE:** This equipment has been tested and found to comply with the limits for a Class B digital device, pursuant to part 15 of the FCC Rules. These limits are designed to provide reasonable protection against harmful interference in a residential installation. This equipment generates, uses and can radiate radio frequency energy and, if not installed and used in accordance with the instructions, may cause harmful interference to radio communications. However, there is no guarantee that interference will not occur in a particular installation. If this equipment does cause harmful interference to radio or television reception, which can be determined by turning the equipment off and on, the user is encouraged to try to correct the interference by one or more of the following measures:

- Reorient or relocate the receiving antenna.
- Increase the separation between the equipment and receiver.
- Connect the equipment into an outlet on a circuit different from that to which the receiver is connected.
- Consult the dealer or an experienced radio/TV technician for help.

This device complies with Industry Canada license-exempt RSS standard(s). Operation is subject to the following two conditions: (1) this device may not cause interference, and (2) this device must accept any interference, including interference that may cause undesired operation of the device.

Under Industry Canada regulations, this radio transmitter may only operate using an antenna of a type and maximum (or lesser) gain approved for the transmitter by Industry Canada. To reduce potential radio interference to other users, the antenna type and its gain should be so chosen that the equivalent isotropically radiated power (e.i.r.p.) is not more than that necessary for successful communication.

---

## BLUETOOTH® LICENSE STATEMENT

The BLUETOOTH® word mark and logos are registered trademarks owned by Bluetooth SIG, Inc. and any use of such marks by RYOBI™ is under license. Other trademarks and trade names are those of their respective owners.

# INSTRUCTIONS IMPORTANTES CONCERNANT LA SÉCURITÉ

## AVERTISSEMENT !

**LIRE CES INSTRUCTIONS.** Le non-respect de toutes les instructions ci-dessous peut entraîner un choc électrique, un incendie et des blessures graves.

### CONSERVER CES INSTRUCTIONS OBSERVER TOUS LES AVERTISSEMENTS LIRE TOUTES LES INSTRUCTIONS

- **Ne pas utiliser cet appareil à proximité de l'eau.**
- **Nettoyer seulement l'outil avec un chiffon sec.**
- **Ne pas obstruer les fentes de ventilation.** Installer conformément aux instructions du fabricant.
- **Ne pas faire fonctionner l'outil électrique à proximité de sources de chaleurs comme des radiateurs, des registres de chaleur, des poêles ou d'autres appareils (notamment des amplificateurs) produisant de la chaleur.**
- **Utiliser seulement des accessoires spécifiés par le fabricant.**
- **Apprendre à connaître produit. Lire attentivement le manuel d'utilisation. Apprendre les applications et les limites de la produit, ainsi que les risques spécifiques relatifs à son utilisation.** Le respect de cette consigne réduira les risques d'incendie, de choc électrique et de blessures graves.
- **Ne pas utiliser de produits dans des atmosphères explosives, en présence de liquides, de gaz ou de poussières inflammables par exemple.** Les produits créent des étincelles qui pourraient enflammer les poussières ou les vapeurs.

### SÉCURITÉ ÉLECTRIQUE

- **Les piles du produit, qu'elles soient intégrées ou amovibles, ne doivent être rechargées qu'avec le chargeur spécifié.** Un chargeur approprié pour un type de pile peut créer un risque d'incendie s'il est utilisé avec un autre type de pile.
- **Utiliser le produit exclusivement avec le bloc de piles indiqué.** L'usage de tout autre bloc peut créer un risque d'incendie.
- **Utiliser ce produit seulement avec la piles et le chargeurs indiqués dans le supplément de raccordement pour chargeur/outils/piles/appareil n° 987000-432.**
- **Ne pas neutraliser la fonction de sécurité de la fiche polarisée ou du type mise à la terre.** Une fiche polarisée a deux lames, dont l'une est plus large que l'autre. Une fiche du type mise à la terre a elle aussi deux lames, en plus d'une broche de mise à la terre. La lame la plus large et la broche ont pour but d'assurer la sécurité. Si la fiche

fournie ne se branche pas dans la prise, demander à un électricien de remplacer la prise désuète.

- **Protéger le cordon d'alimentation pour que personne ne marche dessus ou ne le pince, en particulier au niveau des fiches, des prises de courant et des points où il sort de l'appareil.**
- **Débrancher cet appareil pendant les orages électriques ou en cas d'inutilisation prolongée.**
- **AVERTISSEMENT :** Pour réduire le risque de décharge électrique, ne pas exposer cet appareil à la pluie ou l'humidité. L'appareil ne doit pas être exposé aux égouttements ou éclaboussures et aucun objet rempli de liquide, comme les vases, et aucun objet ne doit être déposé sur l'appareil.

### SÉCURITÉ PERSONNELLE

- **Ne pas utiliser l'produit sur une échelle ou un support instable.** Une bonne tenue et un bon équilibre permettent de mieux contrôler le produit en cas de situation imprévue.
- **Ne pas utiliser l'appareil radio pour écouter de la musique ou d'autres émissions audio au moment d'opérer de la machinerie.** Ne pas respecter cette directive peut causer des distractions qui pourraient entraîner des blessures graves.
- **Cet appareil radio est suffisamment puissant pour endommager l'ouïe à long terme.** L'écoute de la musique à un niveau sonore élevé pendant une certaine période peut entraîner une perte auditive attribuable au bruit. Plus le niveau sonore est élevé, moins il faudra de temps pour endommager l'ouïe.

### UTILISATION ET ENTRETIEN DU PRODUIT

- **Lorsque le bloc de piles n'est pas en usage, le tenir à l'écart d'articles métalliques tels que : attaches trombones, pièces de monnaie, clous, vis et autres petits objets métalliques risquant d'établir le contact entre les deux bornes.** La mise en court-circuit des bornes d'une pile peut entraîner des étincelles, des brûlures ou un incendie.
- **Garder la radio et sa poignée sèches, propres et exemptes d'huile ou de graisse.** Toujours utiliser un chiffon propre pour le nettoyage. Ne jamais utiliser de liquide de freins, d'essence ou de produits à base de pétrole pour nettoyer la radio. Le respect de cette consigne réduira les risques de perte de contrôle et d'endommagement du boîtier en plastique.
- **Les produits fonctionnant sur piles n'ayant pas besoin d'être branchés sur une prise secteur sont toujours en état de utilisation. Tenir compte des dangers possibles lorsque le produit fonctionnant sur pile n'est pas utilisé et lors du remplacement d'accessoires.** Le respect de cette consigne réduit les risques d'incendie, de choc électrique et de blessures graves.

# INSTRUCTIONS IMPORTANTES CONCERNANT LA SÉCURITÉ

- **Ne pas placer un produit fonctionnant sur pile ou sa pile à proximité de flammes ou d'une source de chaleur.** Ceci réduira les risques d'explosion et de blessures.
- **Ne pas écraser, faire tomber ou endommager le bloc de piles. Ne pas utiliser un bloc de piles ou un chargeur endommagé ou soumis à un choc violent.** Une pile endommagée risque d'exploser. Éliminer immédiatement toute pile endommagée, selon une méthode appropriée.
- **Les piles peuvent exploser en présence d'une source d'inflammation, telle qu'une veilleuse.** Pour réduire les risques de blessures graves, ne jamais utiliser un appareil sans fil, quel qu'il soit, en présence d'une flamme vive. En explosant, une pile peut projeter des débris et des produits chimiques. En cas d'exposition, rincer immédiatement les parties atteintes avec de l'eau.
- **Ne pas recharger un produit fonctionnant sur pile dans un endroit humide ou mouillé.** Le respect de cette règle réduira les risques de choc électrique.
- **Si le produit est utilisé de façon intensive ou sous des températures extrêmes, des fuites de pile peuvent se produire. En cas de contact du liquide avec la peau, rincer immédiatement la partie atteinte avec de l'eau savonneuse. En cas de projection dans les yeux, les rincer à l'eau fraîche pendant au moins 10 minutes, puis contacter immédiatement un médecin.** Le respect de cette consigne réduira les risques de blessures graves.




- **Pour réduire le risque de blessures et de choc électrique, ne pas utiliser ni placer ce produit à la portée d'enfants en bas âge.**

## DÉPANNAGE








- **L'entretien de l'produit doit être réalisé uniquement par un personnel de réparation qualifié.** Les réparations ou entretiens effectués par des personnes non qualifiées présentent des risques de blessures.
- **Utiliser exclusivement des pièces identiques à celles d'origine pour les réparations. Se conformer aux instructions de la section Entretien de ce manuel.** L'usage de pièces non autorisées ou le non-respect des instructions peut présenter des risques de choc électrique ou de blessures.
- **Faire effectuer toutes les réparations par un personnel d'entretien qualifié.** Il est nécessaire de faire réparer l'appareil lorsqu'il a subi des dommages quelconques ; si, par exemple, le cordon d'alimentation ou la fiche est endommagé, si du liquide a été renversé ou si des objets sont tombés dans l'appareil, si celui-ci a été exposé à la pluie ou à l'humidité, s'il ne fonctionne pas normalement ou s'il a chuté.
- **Conserver ces instructions.** Les consulter fréquemment et les utiliser pour instruire les autres utilisateurs éventuels. Si cet produit est prêté, il doit être accompagné de ces instructions.

# SYMBOLES

Les termes de mise en garde suivants et leur signification ont pour but d'expliquer le degré de risques associé à l'utilisation de ce produit.

SYMBOLE	SIGNAL	SIGNIFICATION
	<b>DANGER :</b>	Indique une situation dangereuse qui, si elle n'est pas évitée, aura pour conséquences des blessures graves ou mortelles.
	<b>AVERTISSEMENT :</b>	Indique une situation dangereuse qui, si elle n'est pas évitée, pourrait entraîner des blessures graves ou mortelles.
	<b>ATTENTION :</b>	Indique une situation dangereuse qui, si elle n'est pas évitée, pourrait entraîner des blessures légères ou de gravité modérée.
	<b>AVIS :</b>	(Sans symbole d'alerte de sécurité) Indique les informations jugées importantes sans toutefois représenter un risque de blessure (ex. : messages concernant les dommages matériels).

Certains des symboles ci-dessous peuvent être utilisés sur l'produit. Veiller à les étudier et à apprendre leur signification. Une interprétation correcte de ces symboles permettra d'utiliser l'produit plus efficacement et de réduire les risques.

SYMBOLE	NOM	DÉSIGNATION / EXPLICATION
	Symbole d'alerte de sécurité	Indique un risque de blessure potentiel.
	Lire le manuel d'utilisation	Toujours porter des lunettes de sécurité munies d'écrans latéraux et un masque facial intégral lors de l'utilisation de cet outil.
	Protection oculaire	Toujours porter une protection oculaire avec écrans latéraux certifiée conforme à la norme ANSI Z87.1.
	Avertissement de choc électrique	Indique la présence de matériaux non isolés à l'intérieur de l'unité qui peuvent provoquer des chocs électriques. Ne pas retirer le couvercle du produit.
	Avertissement concernant l'humidité	Ne pas exposer à la pluie ou l'humidité.
	Symbole de recyclage	Ce produit utilise les piles de lithium-ion (Li-ion). Les réglementations locales ou gouvernementales peuvent interdire de jeter les piles dans les ordures ménagères. Consulter les autorités locales compétentes pour les options de recyclage et/ou l'élimination.
V	Volts	Tension
A	Ampères	Intensité
Hz	Hertz	Fréquence (cycles par seconde)
W	Watt	Alimentation
min	Minutes	Temps
≡	Courant continu	Type ou caractéristique du courant
~	Courant alternatif	Type de courant
	Outil de la classe II	Construction à double isolation

# CARACTÉRISTIQUES ÉLECTRIQUES

## DOUBLE ISOLATION

La double isolation est un dispositif de sécurité utilisé sur les produits à moteur électriques, éliminant le besoin de cordon d'alimentation habituel à trois fils avec terre. Toutes les pièces métalliques exposées sont isolées des composants internes du moteur par l'isolation protectrice. Les produits à double isolation ne nécessitent pas de mise à la terre.

### AVERTISSEMENT :

Le système à double isolation est conçu pour protéger l'utilisateur contre les chocs électriques causés par une rupture du câblage interne de l'produit. Prendre toutes les précautions de sécurité normales pour éviter les chocs électriques.

**NOTE :** La réparation d'un produit à double isolation exigeant des précautions extrêmes ainsi que la connaissance du système, elle ne doit être confiée qu'à un réparateur qualifié. En ce qui concerne les réparations, nous recommandons de confier l'produit au centre de réparation le plus proche. Utiliser exclusivement des pièces d'origine pour les réparations.

## CONNEXIONS ÉLECTRIQUES

Il doit être branché uniquement sur une **alimentation 120 V, 60 Hz, c.a. (courant résidentiel standard)**. Ne pas l'utiliser sur une source de courant continu (c.c.) en le reliant par le cordon d'alimentation. Une chute de tension importante causerait une perte de puissance. Si l'produit ne fonctionne pas une fois branché, vérifier l'alimentation électrique.

## CORDONS PROLONGATEURS

Lors de l'utilisation d'un outil électrique à grande distance d'une prise secteur, veiller à utiliser un cordon prolongateur d'une capacité suffisante pour supporter l'appel de courant de l'produit. Un cordon de capacité insuffisante causerait une baisse de la tension de ligne, entraînant une perte de puissance et une surchauffe. Se reporter au tableau

ci-dessous pour déterminer le calibre minimum de fil requis pour un cordon donné. Utiliser exclusivement des cordons à gaine cylindrique homologués par Underwriter's Laboratories (UL).

Avant d'utiliser un cordon prolongateur, vérifier que ses fils ne sont ni détachés ni exposés et que son isolation n'est ni coupée, ni usée.

\*\*Intensité nominale (sur la plaquette signalétique de l'produit)

0-2,0 2,1-3,4 3,5-5,0 5,1-7,0 7,1-12,0 12,1-16,0

Longueur du cordon	Calibre de fil (A.W.G.)					
	16	16	16	16	14	14
25'	16	16	16	16	14	14
50'	16	16	16	14	14	12
100'	16	16	14	12	10	

\*\*Utilisé sur circuit de calibre 12 – 20 A

**NOTE :** AWG = American Wire Gauge

### AVERTISSEMENT :

Maintenir le cordon prolongateur à l'écart de la zone de travail. Lors du travail avec un cordon électrique, placer le cordon de manière à ce qu'il ne risque pas de se prendre dans les pièces de bois, produits et autres obstacles. Ne pas prendre cette précaution peut entraîner des blessures graves.

### AVERTISSEMENT :

Vérifier l'état des cordons prolongateurs avant chaque utilisation. Remplacer immédiatement tout cordon endommagé. Ne jamais utiliser un produit dont le cordon d'alimentation est endommagé, car tout contact avec la partie endommagée pourrait causer un choc électrique et des blessures graves.

# ASSEMBLAGE

### AVERTISSEMENT :

Ne pas utiliser le produit s'il n'est pas complètement assemblé ou si des pièces semblent manquantes ou endommagées. L'utilisation d'un produit dont l'assemblage est incorrect ou incomplet ou comportant des pièces endommagées ou absentes représente un risque de blessures graves.

### AVERTISSEMENT :

Ne pas essayer de modifier cet outil ou de créer des pièces et accessoires non recommandés. De telles altérations ou modifications sont considérées comme un usage abusif et peuvent créer des conditions dangereuses, risquant d'entraîner des blessures graves.

Si des pièces manquent ou sont endommagées, veuillez appeler au 1-800-525-2579 pour obtenir de l'aide.

# UTILISATION

## **AVERTISSEMENT :**

Ne pas laisser la familiarité avec l'produit faire oublier la prudence. Ne pas oublier qu'une fraction de seconde d'inattention peut entraîner des blessures graves.

## **AVERTISSEMENT :**

Toujours retirer la bloc-pile et débranchez de l'alimentation de l'outil au moment d'assembler des pièces, d'effectuer des réglages et de procéder au nettoyage, ou lorsque l'outil n'est pas utilisé. Le fait de retirer la pile ou cordon prolongateur permet d'empêcher un démarrage accidentel pouvant entraîner des blessures graves.

## **AVIS :**

Toujours consulter le manuel d'un dispositif recommandé pour être utilisé comme accessoire. L'utilisation adéquate d'un quelconque dispositif relié à la radio demeure l'unique responsabilité de l'opérateur. L'utilisation inadéquate représente un risque de bris de l'appareil ou du produit.

## **AVERTISSEMENT :**

La chaîne radio est suffisamment puissante pour occasionner des problèmes auditifs à long terme. L'écoute de la musique à un niveau sonore élevé pendant une certaine période peut entraîner une perte auditive attribuable au bruit. Plus le niveau sonore est élevé, moins il faudra de temps pour endommager l'ouïe.

## **APPLICATIONS**

Ce produit peut être utilisé pour les applications ci-dessous :

- Écoute de la radio FM et AM, de lecteur MP3, de lecteur de CD et d'autres périphériques audio ; charge de dispositifs équipés de prise USB.

## **INSTALLATION ET REMPLACEMENT DES PILES DE AAA POUR L'HORLOGE ET LES PRÉRÉGLÉS**

Voir la figure 1, page 11.

Il est recommandé de prendre en note les canaux enregistrés avant de remplacer les batteries de l'horloge.

Lors du remplacement des piles AAA, la stéréo doit être branchée à une source d'alimentation en utilisant le cordon d'alimentation CA. Installez les nouvelles pile dans un délai de 15 secondes afin d'éviter de perdre les paramètres de l'horloge et les préréglages des fréquences.

Utiliser des piles de rechange alcalines neuves.

- Dévisser la vis de la porte de la pile. Retirer la porte et la garder à portée de main.
- Installer deux nouvelles piles AAA en respectant les indicateurs de polarité se trouvant à l'intérieur du compartiment des piles.

**NOTE :** Ne mélangez pas des piles neuves et usées. Ne jumelez pas des piles alcalines, régulières (carbone - zinc), ou rechargeables au nickel cadmium.

## **RETRAIT/INSTALLATION DU BLOC-PILES**

Voir la figure 2, page 11.

### **Pour installer :**

- Placer la pile dans la stéréo et aligner la nervure surélevée de la pile avec la rainure du compartiment pour pile de la stéréo.
- S'assurer que les attaches de chaque côté de la pile s'enclenchent en place et que la pile est bien fixée dans la stéréo.

**NOTE :** Une batterie qui demeure branchée à une source de courant pendant une longue période s'épuisera. Toujours débrancher la batterie après chaque utilisation.

### **Pour enlever :**

- Appuyer sur les attaches de part et d'autre de la pile pour la retirer.
- NOTE :** Toujours retirer le bloc-piles de la stéréo lorsqu'elle n'est pas utilisée.

**NOTE :** Le bloc-piles devrait être rechargé après environ 5 heures d'utilisation pour réduire la possibilité de dommages. Une décharge importante et répétitive de la pile peut diminuer sa capacité de stockage et sa durée de vie.

Pour prendre connaissance des consignes de chargement, consulter le manuel d'utilisation des piles et des chargeurs.

## **INSTALLATION / RETRAIT DU CORDON D'ALIMENTATION**

Voir la figure 3, page 12.

- Appuyer sur le bouton MARCHE/ARRÊT (ON/OFF) pour mettre l'outil en arrêt.
- Appuyer sur les attaches de part et d'autre de la pile pour la retirer.
- Insérer la partie femelle du cordon d'alimentation dans le produit, comme illustré.
- Raccorder la fiche du cordon d'alimentation dans une source d'énergie.
- S'assurer que le cordon d'alimentation est raccordé correctement.

## **AFFICHAGE DEL**

Voir la figure 4, page 12.

**NOTE :** Les illustrations de l'afficheur ACL montrées dans ce manuel ne sont que des exemples de fréquences que l'on

# UTILISATION

peut voir sur la radio et ne sont pas les fréquences exactes d'écoute choisies.

L'afficheur ACL ne s'allumera pas si la radio n'est pas branchée à une source d'alimentation. Si la radio est branchée à une source d'alimentation et est en position de marche (**ON**), les DEL éclaireront l'afficheur. L'heure, la fréquence et les réglages en fonction seront indiqués sur l'afficheur ACL.

**NOTE :** Toujours débrancher la pile après avoir utilisé l'appareil afin d'éviter d'épuiser la pile.

## RÉGLAGE DE L'HORLOGE

Voir la figure 4, page 12.

**NOTE :** Installer le bloc-piles ou brancher le cordon d'alimentation à une source d'alimentation CC avant de réglage de l'horloge.

Appuyer et relâcher le bouton **CLOCK** (horloge). La fréquence s'afficheront à la place de l'heure pendant dix (10) secondes. L'afficheur retournera à l'heure actuelle après dix (10) secondes.

**NOTE :** L'heure est l'affichage par défaut sous tous les modes.

### Réglage de l'heure :

- Appuyer et relâcher le bouton **CLOCK** (horloge). L'icône de l'heure et de l'horloge s'afficheront à la place de la fréquence pendant dix (10) secondes. L'afficheur retournera à la fréquence actuelle après dix (10) secondes.
- Appuyer et maintenir le bouton **CLOCK** (horloge) enfoncé pendant deux (2) secondes. **L'HEURE** commencera à clignoter à intervalles d'une demie (1/2) seconde.
- Utiliser les boutons à flèches **UP/DOWN** (vers le haut/bas) pour changer l'affichage de l'heure selon le nombre désiré.

**NOTE :** Pour afficher l'heure du soir (PM), faire défiler les douze (12) premiers chiffres jusqu'à ce que « PM » s'affiche.

- Appuyer à nouveau sur le bouton **CLOCK** (horloge) pour verrouiller le réglage de l'heure. Les **MINUTES** commenceront à clignoter à intervalles d'une demie (1/2) seconde.
- Utiliser les boutons à flèches **UP/DOWN** (vers le haut/bas) pour changer l'affichage des minutes selon le nombre désiré.
- Appuyer à nouveau sur le bouton **CLOCK** (horloge) pour verrouiller le réglage de l'heure.

**NOTE :** Si les piles AAA sont retirées ou sont épuisées pendant plus de 15 minutes, les réglages de l'horloge seront perdus. Le retrait de la pile de 18 V ne modifie pas les réglages.

## MISE EN MARCHÉ ET HORS TENSION DE LA STÉRÉO

Voir la figure 4, page 12.

Appuyer l'interrupteur marche / arrêt pour éteindre ou arrêter la stéréo.

**NOTE :** Il faut appuyer sur le bouton pendant 3 secondes pour mettre la stéréo en marche. Si cela se produit, remplacer les piles AAA de la stéréo.

Pour aider à conserver l'énergie de la pile, la stéréo se met automatiquement en mode de veille environ 1 heures après sa mise hors tension. Pour sortir du mode de veille et remettre la stéréo en marche, il faut utiliser le bouton **ON / OFF** (marche / arrêt) de la stéréo.

## RÉGLAGE DU VOLUME

Voir la figure 4, page 12.

Lorsque la stéréo est allumée, elle revient au dernier réglage de volume utilisé.

**NOTE :** Si la pile de 18 V est retirée de la stéréo ou si elle est vide, la stéréo revient au réglage de volume par défaut.

**Pour augmenter le volume :** appuyer le bouton de « **VOL UP** » (volume vers le haut).

**Pour réduire le volume :** appuyer le bouton de « **VOL DOWN** » (volume vers le bas).

**NOTE :** Pour augmenter ou réduire le volume rapidement, maintenir enfoncé le bouton « **VOL UP** » (volume vers le haut) ou « **VOL DOWN** » (volume vers le bas).

### AVIS :

Ne pas écouter la radio avec un volume élevé pendant une longue période de temps alors que les niveaux de graves et d'aigües sont au maximum. Ceci endommagera les haut-parleurs ou les amplificateurs de l'appareil.

## COMMANDE DE TONALITÉ

Voir la figure 4, page 12.

Les ajustements de basses et d'aigües sont réglables.

### Pour régler les basses :

- Appuyer et maintenir le bouton **MODE** enfoncé jusqu'à ce que la lettre **b (basses)** apparaisse.
- Appuyer sur la flèche **VOL UP** ou **VOL DOWN** pour augmenter ou diminuer les basses (-5 à +5).

### Pour régler les aigües :

- Appuyer et maintenir le bouton **MODE** enfoncé jusqu'à ce que la lettre **b (basses)** apparaisse. Appuyer immédiatement à nouveau jusqu'à ce que la lettre **t (Treble)** apparaisse.
- Appuyer sur la flèche **VOL UP** ou **VOL DOWN** pour augmenter ou diminuer les aigües (-5 à +5).

## SÉLECTION DU MODE

Voir la figure 4, page 12.

Pour changer les modes, prise le bouton de **MODE**. Le mode sélectionné est affiché au-dessus de la fréquence. La stéréo comprend les quatre modes suivants :

- Le mode « FM »



# UTILISATION

- Le mode « AM »
- Le mode « AUX »
- Le mode « BLUETOOTH® »

## SYNTONISATION MANUELLE

Voir la figure 4, page 12.

Les boutons **SCAN** (balayage) sont utilisés pour syntoniser la fréquence radiophonique désirée. La fréquence sélectionnée apparaît sur l'afficheur ACL.

- Appuyer sur le bouton gauche **SCAN** (balayage vers la gauche) pour syntoniser une fréquence antérieure et appuyer sur le bouton droit **SCAN** (balayage vers la droite) pour syntoniser une fréquence ultérieure.
- Appuyer rapidement sur l'un des deux boutons (ne pas le maintenir enfoncé) pour syntoniser une fréquence une étape à la fois.
- Appuyer et maintenir le bouton **SCAN** gauche (balayage vers la gauche) enfoncé pendant une seconde pour syntoniser la prochaine fréquence possédant une meilleure réception. Appuyer et maintenir le bouton **SCAN** droite (balayage vers la droite) enfoncé pendant une seconde pour syntoniser la fréquence antérieure possédant une meilleure réception.

## MISE EN MÉMOIRE DES CANAUX PRÉRÉGLÉS

Voir la figure 4, page 12.

La fonction de mise en mémoire permet d'enregistrer jusqu'à 20 fréquences à titre de canaux préréglés dans la mémoire de la stéréo. Vous pouvez sauvegarder dix (10) fréquences FM et dix (10) fréquences AM.

### Pour ajouter des stations préréglées :

- Syntoniser la fréquence d'écoute à sauvegarder.
- Appuyer et maintenir le bouton **PRESET** (préréglage) enfoncé. Un numéro d'emplacement de mémoire clignotera.
- Appuyer sur le bouton **SCAN** pour sélectionner l'emplacement de mémoire.
- Appuyer sur le bouton **PRESET** (préréglage) pour sauvegarder la fréquence à l'emplacement de mémoire sélectionné.

### Pour syntoniser les stations préréglées (FM ou AM) :

- Appuyer et relâcher rapidement le bouton **PRESET** (préréglage). Appuyer une fois pour avancer au prochain numéro de station et sa fréquence dédiée. Arrêter simplement à la fréquence de la station préréglée désirée.

## MODE AUXILIAIRE

Voir la figure 5, page 13.

La stéréo peuvent être utilisés comme amplificateurs pour les lecteurs MP3, lecteurs CD, téléphones intelligents, tablettes et les autres dispositifs musicaux.

### Pour utiliser le mode auxiliaire (AUX) :

- Appuyer sur le bouton « **MODE** » pour sélectionner le mode « **AUX** ».
- Brancher le câble auxiliaire inclus au dispositif externe.

- Brancher l'autre extrémité du câble auxiliaire dans la prise **AUX IN** (entrée auxiliaire).

- Le support de dispositif peut être utilisé pour ranger le dispositif de musique.

**NOTE** : Le support de dispositif ne sécurise pas les dispositifs externes.

- Le dispositif externe doit être sous tension ou en mode lecture pour que les haut-parleurs puissent diffuser le son.

- Toutes les commandes du dispositif externe peuvent être utilisées normalement lorsque ces dispositifs sont raccordés à la stéréo.

**NOTE** : Le volume de tout dispositif branché par le connecteur auxiliaire peut être réglé à l'aide de la commande de volume de ce dispositif ou à l'aide du bouton **VOL UP** (volume vers le haut) ou **VOL DOWN** (volume vers le bas) de la stéréo.

- Éteindre la stéréo n'éteint pas le dispositif externe.
- Le câble auxiliaire NE PERMET PAS la recharge.
- Pour prendre connaissance de l'ensemble des instructions d'utilisation sur les dispositif externe, toujours consulter le manuel fourni avec le produit.

- La prise **AUX OUT** (sortie auxiliaire) est utilisée uniquement pour brancher les haut-parleurs.

**NOTE** : Ne pas brancher d'écouteurs dans la prise **AUX OUT** (sortie auxiliaire). L'intensité du volume de cette prise est réglée au maximum et ne peut pas être diminuée avec le bouton **VOL DOWN**.

## PORT USB DÉDIÉ À LA CHARGE

Voir la figure 5 et 6, page 13.

Le port de charge USB dédié offre une puissance de charge jusqu'à 2 ampère pour le téléphone intelligente, le lecteur MP3, tablette ou autres dispositifs USB.

### AVIS :

Tenter de charger des dispositifs ayant une caractéristique nominale de plus de 2 ampère risque d'endommager le port de charge USB dédié et le dispositif.

- Brancher une extrémité du câble USB (non fourni) au dispositif USB.
- Brancher l'autre extrémité du câble USB (non fourni) au port de charge USB dédié pour commencer la charge du dispositif.

**NOTE** : Le port de charge USB dédié n'est qu'une source d'alimentation et n'offre aucune capacité de communication.

- Lorsque la stéréo est alimenté par les piles, le port de chargement USB dédié continuera de fonctionner pendant environ une heure après avoir éteint la stéréo. Si après ce délai, la stéréo est éteinte, le chargement arrête. Allumer la stéréo pour reprendre le chargement.

# UTILISATION

## UTILISATION D'UN DISPOSITIF BLUETOOTH® (NON INCLUS) AVEC LA STÉRÉO

Voir la figure 7, page 13.

- Appuyer sur le bouton **MODE** jusqu'à ce le mode **BLUETOOTH®** soit en surbrillance.
- Lorsque la stéréo passe au mode **BLUETOOTH®**, l'appareil tentera l'appariement avec un dispositif activé par **BLUETOOTH®** et « **bt** » clignotera sur l'afficheur ACL.  
**NOTE** : La stéréo tentera automatiquement la connexion vers le dernier dispositif apparié. Si la connexion ne peut être établie dans les cinq secondes, la stéréo passera en mode de disponibilité pour les autres dispositifs activés par **BLUETOOTH®**.
- Les dispositifs activés par **BLUETOOTH®** doit être à la portée du signal de la stéréo et le mode de recherche / balayage doit être activé afin de pouvoir apparier le dispositif avec la stéréo.
- Sélectionner « **RYOBI STEREO** » depuis la liste de signaux **BLUETOOTH®** de votre dispositif pour effectuer l'appariement du dispositif avec la radio. La connexion ne requiert pas de mot de passe ni d'identifiant.

**NOTE** : Lorsque l'appariement du dispositif avec la radio est réussi, l'heure apparaîtra sur l'afficheur ACL.

- Lorsque la lecture audio en continu est activée sur le dispositif **BLUETOOTH®**, appuyer sur le bouton gauche **SCAN** ou sur le bouton droit **SCAN** choisir la piste suivante ou précédente. Appuyer et relâcher brièvement le bouton **PRESET** (préréglage) pour effectuer une pause ou lire la musique.

**NOTE** : Ces commandes sont peut-être inactives sur le dispositif **BLUETOOTH®** ou l'application utilisée.

- Pour débrancher le dispositif activé par **BLUETOOTH®**, appuyer et maintenir le bouton **PRESET** (préréglage) enfoncé. Dès que le dispositif est débranché, les lettres « **bt** » apparaîtront sur l'afficheur ACL et la radio commencera à rediffuser son signal **BLUETOOTH®**.

## ANTENNE RABATTABLE, FLEXIBLE ET ORIENTABLE

Voir la figure 8, page 13.

Pour réduire l'interférence ou les parasites d'origine électrique, faire pivoter l'antenne ou placer la stéréo en hauteur afin d'obtenir une meilleure réception. Il est possible de la rabattre sur le côté lorsqu'elle n'est pas utilisée.

# ENTRETIEN

## AVERTISSEMENT :

Toujours retirer la bloc-pile et débrancher de l'alimentation de l'outil au moment d'assembler des pièces, d'effectuer des réglages et de procéder au nettoyage, ou lorsque l'outil n'est pas utilisé. Le fait de retirer la pile ou cordon prolongateur permet d'empêcher un démarrage accidentel pouvant entraîner des blessures graves.

## AVERTISSEMENT :

Utiliser exclusivement des pièces d'origine pour les réparations. L'usage de toute autre pièce pourrait créer une situation dangereuse ou endommager l'produit.

## ENTRETIEN GÉNÉRAL

Éviter d'utiliser des solvants pour le nettoyage des pièces en plastique. La plupart des matières plastiques peuvent être endommagées par divers types de solvants du commerce. Utiliser un chiffon propre pour éliminer la saleté, la poussière, l'huile, la graisse, etc.

**NOTE : ILLUSTRATIONS COMMENÇANT SUR 11 DE PAGE APRÈS LE SECTION ESPAGNOL.**

## CONFORMITÉ AUX NORMES DE LA FEDERAL COMMUNICATIONS COMMISSION (FCC)

### AVERTISSEMENT :

Toute modification apportée à l'unité qui n'a pas été expressément approuvée par le responsable de la conformité du produit pourrait suffire à révoquer le droit de l'utilisateur à se servir de l'équipement.

Cet appareil est conforme à la Partie 15 des Règles FCC et aux normes RSS d'Industrie Canada en matière d'appareils exempts de licence. L'exploitation est autorisée aux deux conditions suivantes : (1) l'appareil ne doit pas produire de brouillage, et (2) l'utilisateur de l'appareil doit accepter tout brouillage radioélectrique subi, même si le brouillage est susceptible d'en compromettre le fonctionnement.

**NOTE :** Le cessionnaire n'assume aucune responsabilité pour les modifications qui ne sont pas expressément approuvées par la partie responsable de la conformité. Ces modifications pourraient annuler l'autorité de l'utilisateur à utiliser l'équipement.

**NOTE :** Après avoir fait subir un essai à l'équipement, il a été déterminé que celui-ci est conforme aux normes relatives à un appareil numérique de classe B, selon la partie 15 des règles de la FCC. Ces normes ont été fixées afin de fournir une protection raisonnable contre une interférence nuisible dans une installation résidentielle. Cet équipement produit et utilise de l'énergie RF. Si l'équipement n'est pas installé et utilisé conformément aux instructions, cela peut causer de l'interférence aux radiocommunications. However, there is no guarantee that interference will not occur in a particular installation. Toutefois, des interférences peuvent se produire dans une installation donnée. Si cet équipement ne produit aucun brouillage préjudiciable à la réception des signaux de radio ou de télévision, ce qui peut être déterminé en allumant et en éteignant l'appareil, on recommande à l'utilisateur de corriger l'interférence par l'une des mesures suivantes :

- Réorienter ou déplacer l'antenne de réception.
- Augmenter l'espacement entre l'équipement et le récepteur.
- Brancher l'équipement dans une prise différente de celle du récepteur.
- Consulter le marchand ou un technicien expérimenté en radiotélédiffusion pour obtenir de l'aide.

Le présent appareil est conforme aux CNR d'Industrie Canada applicables aux appareils radio exempts de licence. L'exploitation est autorisée aux deux conditions suivantes : (1) l'appareil ne doit pas produire de brouillage, et (2) l'utilisateur de l'appareil doit accepter tout brouillage radioélectrique subi, même si le brouillage est susceptible d'en compromettre le fonctionnement.

Conformément à la réglementation d'Industrie Canada, le présent émetteur radio peut fonctionner avec une antenne d'un type et d'un gain maximal (ou inférieur) approuvé pour l'émetteur par Industrie Canada. Dans le but de réduire les risques de brouillage radioélectrique à l'intention des autres utilisateurs, il faut choisir le type d'antenne et son gain de sorte que la puissance isotrope rayonnée équivalente (p.i.r.e.) ne dépasse pas l'intensité nécessaire à l'établissement d'une communication satisfaisante.

---

## ÉNONCÉ DE LICENCE BLUETOOTH®

L'indice de l'œuvre et les logos de BLUETOOTH® sont des marques déposées par Bluetooth SIG, Inc. et toutes utilisations de telles marques par RYOBI™ sont sous licence. Les autres marques de commerce et appellations commerciales sont la propriété de leurs propriétaires respectifs.

# INSTRUCCIONES DE SEGURIDAD IMPORTANTES

## ¡ADVERTENCIA!

**LEA ESTAS INSTRUCCIONES.** El incumplimiento de las instrucciones señaladas abajo puede causar descargas eléctricas, incendios y/o lesiones serias.

### **GUARDE ESTAS INSTRUCCIONES PRESTE ATENCIÓN A TODAS LAS ADVERTENCIAS SIGA TODAS LAS INSTRUCCIONES**

- No use este aparato cerca del agua.
- Limpie sólo con un paño seco.
- No bloquee ninguna de las aberturas de ventilación. Instale de acuerdo con las instrucciones del fabricante.
- No instale cerca de fuentes de calor como, por ejemplo, radiadores, rejillas térmicas u otros aparatos que generen calor (entre ellos, amplificadores).
- Use sólo los accesorios/aditamentos especificados por el fabricante.
- Para usar este producto con la debida seguridad se debe comprender la información indicada en la herramienta misma y en este manual. Antes de usar este producto, familiarícese con todas las características de funcionamiento y normas de seguridad del mismo. Con el cumplimiento de esta regla se reduce el riesgo de una descarga eléctrica, incendio o lesión seria.
- No utilice productos en entornos explosivos, como los existentes alrededor de líquidos, gases y polvos inflamables. Los productos generan chispas que pueden encender el polvo y los vapores inflamables.

### **SEGURIDAD ELÉCTRICA**

- Los productos de baterías, ya sean de baterías integradas o de paquete de baterías separado, deben recargarse únicamente con el cargador especificado para la batería. Un cargador que puede ser adecuado para un tipo de batería puede significar un riesgo de incendio si se emplea con otro tipo de batería.
- Utilice el producto sólo con la batería específicamente indicada. El empleo de baterías diferentes puede presentar un riesgo de incendio.
- Usar este producto únicamente con la baterías y el cargadors indicados en el folleto de la herramienta/aparato/paquete de baterías/cargador complementario 987000-432.
- No anule la característica de seguridad de la clavija polarizada o clavija del tipo de conexión a tierra. Una clavija polarizada tiene dos patillas, una de las cuales es más ancha que la otra. Una clavija del tipo de conexión a

tierra tiene dos patillas y una tercera de conexión a tierra. La patilla más ancha o la tercera patilla se suministran para seguridad del operador. Si la clavija suministrada no encaja en la toma de corriente, consulte a un electricista para que cambie la toma de corriente obsoleta.

- Proteja el cordón eléctrico para evitar que se lo pise o pellizque, especialmente a la altura de las clavijas, de las tomas de corriente y del punto de conexión de salida del aparato.
- Desenchufe este aparato durante las tormentas eléctricas o cuando no se use por largos períodos de tiempo.
- **ADVERTENCIA:** Para reducir el riesgo de incendio o descarga eléctrica, no exponga este aparato a la lluvia ni a la humedad. No se debe exponer el aparato a goteos o salpicaduras; tampoco se debe colocar ningún objeto lleno con líquidos (como jarrones) sobre el aparato.

### **SEGURIDAD PERSONAL**

- No utilice la unidad al estar en una escalera o en un soporte inestable. Una postura estable sobre una superficie sólida permite un mejor control del producto en situaciones inesperadas.
- No escuche música u otros programas de audio en la radio mientras opera maquinaria. La inobservancia de esta advertencia puede provocar distracciones y causar lesiones graves.
- Esta radio produce niveles de sonido que pueden afectar la audición de forma permanente. Escuchar música a un volumen alto durante un determinado tiempo puede causar una pérdida de la audición inducida por el ruido. Cuanto más alto sea el volumen, la audición se verá afectada en menos tiempo.

### **EMPLEO Y CUIDADO DEL PRODUCTO**

- Cuando no esté usando la batería, manténgala alejada de todo objeto metálico como: clips, monedas, llaves, clavos, tornillos y otros objetos metálicos pequeños que puedan establecer conexión entre ambas terminales. Al establecer una conexión directa entre las dos terminales se puede causar chispas, quemaduras o incendios.
- Mantenga la radio y el mango secos, limpios y sin aceite ni grasa. Siempre utilice un paño limpio para limpiar la unidad. Nunca utilice fluidos para frenos, gasolina, productos a base de petróleo ni solventes fuertes para limpiar la radio. Con el cumplimiento de esta regla se reduce el riesgo de una pérdida de control y el deterioro del alojamiento de plástico de la unidad.
- No se necesita conectar a una toma de corriente los productos de baterías, por lo tanto, siempre están en condiciones de funcionamiento. Esté consciente de los posibles peligros cuando no esté usando el producto de baterías o cuando esté cambiando los accesorios

# INSTRUCCIONES DE SEGURIDAD IMPORTANTES

**de la misma.** Con el cumplimiento de esta regla se reduce el riesgo de una descarga eléctrica, incendio o lesión corporal seria.

- **No coloque productos de baterías ni las baterías mismas cerca del fuego o del calor.** De esta manera se reduce el riesgo de explosiones y de lesiones.
- **No aplaste, deje caer o dañe el paquete de baterías. No utilice el paquete de baterías ni el cargador si han sufrido una caída o un golpe contundente.** Las baterías dañadas pueden sufrir explosiones. Deseche de inmediato toda batería que haya sufrido una caída o que haya sido dañada.
- **Las baterías pueden explotar en presencia de fuentes de inflamación, como los pilotos de gas.** Para reducir el riesgo de lesiones serias, nunca use un producto inalámbrico en presencia de llamas expuestas. La explosión de una batería puede lanzar fragmentos y compuestos químicos. Si ha estado expuesto a la explosión de una batería, lávese de inmediato con agua.
- **No cargue la batería en lugares mojados o húmedos.** Con el cumplimiento de esta regla se reduce el riesgo de una descarga eléctrica.
- **En condiciones extremas de uso o temperatura las baterías pueden emanar líquido. Si el líquido llega a tocarle la piel, lávese de inmediato con agua y jabón. Si le entra líquido en los ojos, láveselos con agua limpia por lo menos 10 minutos, y después busque de inmediato atención médica.** Con el cumplimiento de esta regla se reduce el riesgo de lesiones serias.




- **Para reducir el riesgo de lesiones personales y descargas eléctricas, no debe usarse ni colocarse el producto en lugares al alcance de los niños.**

## SERVICIO








- **El servicio del producto sólo debe ser efectuado por personal de reparación calificado.** Todo servicio o mantenimiento efectuado por personal no calificado puede significar un riesgo de lesiones.
- **Al dar servicio a un producto, sólo utilice piezas de repuesto idénticas. Siga las instrucciones señaladas en la sección Mantenimiento de este manual.** El empleo de piezas no autorizadas o el incumplimiento de las instrucciones de mantenimiento puede significar un riesgo de descarga eléctrica o de lesiones.
- **Remita todo servicio de mantenimiento a personal técnico calificado.** Es necesario dar mantenimiento al aparato si ha sufrido cualquier tipo de daño, p. ej., se ha dañado el cordón de alimentación, se ha derramado líquido o han caído objetos dentro del aparato, si el mismo ha estado expuesto a lluvia o humedad, no funciona normalmente o se ha dejado caer.
- **Guarde estas instrucciones.** Consúltelas con frecuencia y empléelas para instruir a otras personas que puedan utilizar esta producto eléctrica. Si presta a alguien esta producto eléctrica, facilítele también las instrucciones.

# SÍMBOLOS

Las siguientes palabras de señalización y sus significados tienen el objeto de explicar los niveles de riesgo relacionados con este producto.

SÍMBOLO	SEÑAL	SIGNIFICADO
	<b>PELIGRO:</b>	Indica una situación peligrosa, la cual, si no se evita, causará la muerte o lesiones serias.
	<b>ADVERTENCIA:</b>	Indica una situación peligrosa, la cual, si no se evita, podría causar la muerte o lesiones serias.
	<b>PRECAUCIÓN:</b>	Indica una situación peligrosa, la cual, si no se evita, podría causar lesiones menores o leves.
	<b>AVISO:</b>	(Sin el símbolo de alerta de seguridad) Indica la información que se considera importante, pero no relacionada con lesiones potenciales (por ej. en relación a daños a la propiedad).

Es posible que se empleen en esta herramienta algunos de los siguientes símbolos. Le suplicamos estudiarlos y aprender su significado. Una correcta interpretación de estos símbolos le permitirá utilizar mejor y de manera más segura la herramienta.

SÍMBOLO	NOMBRE	DENOMINACIÓN/EXPLICACIÓN
	Alerta de seguridad	Indica un peligro posible de lesiones personales.
	Lea el manual del operador	Para reducir el riesgo de lesiones, el usuario debe leer y comprender el manual del operador antes de usar este producto.
	Protección ocular	Siempre póngase protección ocular con protección lateral con la marca de cumplimiento de la norma ANSI Z87.1.
	Alerta de descarga eléctrica	Indica material no aislado dentro de la unidad que puede causar una descarga eléctrica. No retire la cubierta del producto.
	Alerta de condiciones húmedas	No exponga la unidad a la lluvia ni la use en lugares húmedos.
	Símbolo de reciclado	Este producto utiliza baterías de iones de litio (Li-ion). Es posible que algunas leyes municipales, estatales o federales prohíban desechar las baterías en la basura normal. Consulte a las autoridades reguladoras de desechos para obtener información en relación con las alternativas de reciclado y desecho disponibles.
V	Voltios	Voltaje
A	Amperios	Corriente
Hz	Hertz	Frecuencia (ciclos por segundo)
W	Watt	Vatios
min	Minutos	Tiempo
≡	Corriente continua	Tipo o característica de corriente
~	Corriente alterna	Tipo de corriente
	Fabricación Clase II	Fabricación con doble aislamiento

# ASPECTOS ELÉCTRICOS

## DOBLE AISLAMIENTO

El doble aislamiento es una característica de seguridad de las productos eléctricas, la cual elimina la necesidad de usar el típico cordón eléctrico de tres conductores con conexión a tierra. Todas las partes metálicas expuestas están aisladas de los componentes metálicos internos del motor por medio de aislamiento de protección. No es necesario conectar a tierra las producto con doble aislamiento.

### ADVERTENCIA:

El sistema de doble aislamiento está destinado para proteger al usuario contra las descargas eléctricas resultantes de la ruptura del cableado interno de la producto. Observe todas las precauciones de seguridad para evitar descargas eléctricas.

**NOTA:** El mantenimiento de una producto con doble aislamiento requiere sumo cuidado y conocimiento del sistema, y únicamente deben realizarlo técnicos de servicio calificados. Para el servicio de la producto, le sugerimos llevarla al centro de servicio autorizado más cercano para toda reparación. Siempre utilice piezas de repuesto de la fábrica original al dar servicio a la unidad.

## CONEXIÓN ELÉCTRICA

Este producto debe conectarse únicamente a un **suministro de corriente de 120 V, sólo corr. alt. (corriente normal para uso doméstico), 60 Hz.** No opere este producto con corriente directa (corr. cont.) a través del cordón eléctrico. Una caída considerable de voltaje causa una pérdida de potencia y el recalentamiento del motor. Si la producto no funciona al conectarla en una toma de corriente, vuelva a verificar el suministro de voltaje.

## CORDONES DE EXTENSIÓN

Al utilizar una producto eléctrica a una distancia considerable de la fuente de voltaje, asegúrese de utilizar un cordón de extensión con la suficiente capacidad para soportar la

corriente de consumo de la producto. Un cordón de un calibre insuficiente causa una caída en el voltaje de línea, la cual a su vez produce recalentamiento y pérdida de potencia. Básese en la tabla suministrada para determinar el grueso mínimo requerido del cordón de extensión. Solamente deben utilizarse cordones con forro redondo registrados en Underwriter's Laboratories (UL).

Antes de utilizar un cordón de extensión, inspecciónelo para ver si tiene conductores flojos o expuestos y aislamiento cortado o gastado.

\*\*Amperaje (aparece en la placa de datos de la producto)

0-2.0 2.1-3.4 3.5-5.0 5.1-7.0 7.1-12.0 12.1-16.0

Longitud del cordón	Calibre conductores (A.W.G.)					
	16	16	16	14	14	12
25'	16	16	16	14	14	12
50'	16	16	14	14	12	—
100'	16	14	12	10	—	—

\*\*Se usa en los circuitos de calibre 12, de 20 amperes.

**NOTA:** AWG = Calibre conductores norma americana

### ADVERTENCIA:

Mantenga el cordón de extensión fuera del área de trabajo. Al trabajar con una producto eléctrica, coloque el cordón de tal manera que no pueda enredarse en la madera, productos ni en otras obstrucciones. La inobservancia de esta advertencia puede causar lesiones serias.

### ADVERTENCIA:

Inspeccione los cordones de extensión cada vez antes de usarlos. Si están dañados reemplácelos de inmediato. Nunca utilice la producto con un cordón dañado, ya que si toca la parte dañada puede producirse una descarga eléctrica, y las consecuentes lesiones serias.

# ARMADO

### ADVERTENCIA:

No use este producto si no está totalmente ensamblado o si alguna pieza falta o está dañada. El uso de un producto que no está adecuadamente y completamente ensamblado o posee partes dañadas o faltantes puede resultar en lesiones personales graves.

### ADVERTENCIA:

No intente modificar este producto ni crear aditamentos o accesorios que no estén recomendados para usar con este producto. Dichas alteraciones o modificaciones constituyen un uso indebido y podrían provocar una situación de riesgo que cause posibles lesiones personales graves.

Si hay piezas dañadas o faltantes, le suplicamos llamar al 1-800-525-2579, donde le brindaremos asistencia.

# FUNCIONAMIENTO

## **ADVERTENCIA:**

No permita que su familiarización con los productos lo vuelva descuidado. Tenga presente que un descuido de un instante es suficiente para causar una lesión grave.

## **ADVERTENCIA:**

Retire siempre las baterías del producto y desconecte el cable de CA cuando está ensamblando partes, limpiando el aparato, o mientras no lo utiliza. Retirar el paquete de baterías y la fuente de alimentación evitará el funcionamiento accidental que pueda provocar lesiones personales graves.

## **AVISO:**

Consulte siempre el manual para ver todos los dispositivos recomendados para usar como aditamento o accesorio. El uso correcto de cualquier dispositivo cuando se lo conecta a la radio es total responsabilidad del operador. El uso indebido puede dañar el dispositivo o el producto.

## **ADVERTENCIA:**

Este estéreo produce niveles de sonido que pueden ser peligrosos en exposiciones prolongadas. Escuchar música a un volumen alto durante cualquier extensión de tiempo puede producir una pérdida auditiva inducida por el ruido. Cuanto más alto esté el volumen, menos será el tiempo necesario para que su audición se vea afectada.

## USOS

Este producto puede emplearse para la fine siguientes:

- Escuchar estéreo AM/FM radio, escuchar los reproductores de MP3, reproductores de CD, y otros dispositivos de audio; carga de dispositivos aptos para USB.

## PARA INSTALAR Y QUITAR BATERÍAS AAA

Vea la figura 1, página 11.

Se recomienda tomar nota de las frecuencias guardados antes de reemplazar las baterías del reloj.

Cuando cambie baterías AAA, deberá conectar la estéreo a una fuente de alimentación utilizando el cable de alimentación de CA. Instale baterías nuevas antes de que transcurran 15 segundos para evitar que se pierdan los ajustes previos del reloj y las frecuencias.

Siempre reemplace las baterías con alcalina baterías nuevas.

- Afloje el tornillo de la compuerta de la batería. Retire la compuerta y apártela.
- Instale dos baterías AAA nuevas de la forma indicada por las marcas de polaridad situadas dentro del compartimiento de las baterías.

**NOTA:** No mezcle las baterías viejas con las nuevas. No mezcle alcalinas, estándar (zinc-carbón), o rechargeable baterías recargables (níquel-cadmio).

## PARA INSTALAR Y QUITAR EL PAQUETE DE BATERÍAS

Vea la figura 2, página 11.

### Para instalar:

- Coloque el paquete de baterías en la estéreo, alineando la costilla realzada del paquete de baterías con la ranura en el receptáculo para baterías de la estéreo.
- Asegúrese de que los pestillos situados a ambos lados del paquete de baterías entren completamente en su lugar y de que el paquete quede bien asegurado en la estéreo antes de empezar a utilizarla.

**NOTA:** Dejar la batería conectada durante largos períodos de tiempo se agotará la batería. Desconecte siempre los paquetes de baterías después de su uso.

### Para retirar:

- Oprima los pestillos a ambos lados para soltar y extraer el paquete de baterías.

**NOTA:** Retire siempre el paquete de baterías de la estéreo cuando no está en uso.

**NOTA:** La batería debe recargarse después de aproximadamente cinco horas de uso para reducir la posibilidad de daños. La descarga profunda repetida de la batería puede disminuir la capacidad de almacenamiento y la duración de la batería.

Para obtener instrucciones específicas de carga, lea el manual del operador que se incluye con el cargador y la batería.

## INSTALACIÓN/DESMONTAR DEL CABLE DE ALIMENTACIÓN

Vea la figura 3, página 12.

- Presione el botón **ENCENDIDO/APAGADO** para apagar el estéreo.
- Oprima los pestillos a ambos lados para soltar y extraer el paquete de baterías.
- Inserte el extremo hembra del cable de alimentación dentro del producto como se muestra.
- Conecte el extremo macho del cable de alimentación a la fuente de alimentación.
- Asegúrese de que el cable de alimentación esté asegurado antes de comenzar con el funcionamiento.

## PANTALLA DE CRISTAL LÍQUIDO CON LUZ DE FONDO

Vea la figura 4, página 12.

**NOTA:** Las ilustraciones de la pantalla LCD que aparecen en este manual son solo ejemplos de las frecuencias que puede ver en el estéreo y no representan las frecuencias exactas que puede elegir escuchar.



# FUNCIONAMIENTO

Cuando el estéreo no está conectado al suministro de corriente, la pantalla LCD permanecerá apagada. Si el estéreo está conectado a un suministro de corriente y en la posición **ON** (Encendido), los LED iluminarán la pantalla. Puede ver la hora, la frecuencia y los ajustes utilizados en la pantalla LCD.

**NOTA:** Desconecte siempre los paquetes de baterías después de su uso para evitar que se descargue la batería.

## AJUSTE DEL RELOJ

Vea la figura 4, página 12.

**NOTE:** Vuelva a instalar el paquete de baterías o conecte el producto a la fuente de alimentación CA antes de ajustar el reloj.

Presione y suelte el botón **CLOCK**. El icono de la frecuencia se mostrarán en lugar de la reloj durante diez (10) segundos. La pantalla volverá a mostrar la reloj actual después de diez (10) segundos.

**NOTA:** En todos los modos, la hora es la visualización predeterminada.

### Para ajustar la hora:

- Presione y suelte el botón **CLOCK**. El icono de la hora y el reloj se mostrarán en lugar de la frecuencia durante diez (10) segundos. La pantalla volverá a mostrar la frecuencia actual después de diez (10) segundos.
- Mientras se muestra la hora, presione y sostenga el botón **CLOCK** durante dos (2) segundos. La **HORA** comenzará a destellar en intervalos de medio segundo (0.5 segundos).
- Utilice los botones con flechas **UP/DOWN** (ARRIBA/ABAJO) para cambiar la hora al número deseado.  
**NOTA:** Para los ajustes de PM, desplazarse por los primeros 12 números hasta que se muestre PM.
- Presione el botón **CLOCK** nuevamente para establecer la hora fijada. Los **MINUTOS** comenzarán a destellar en intervalos de medio segundo (0.5 segundos).
- Utilice los botones con flechas **UP/DOWN** (ARRIBA/ABAJO) para cambiar los minutos al número deseado.
- Presione el botón **CLOCK** nuevamente para establecer la hora fijada.

**NOTA:** Si se extraen las baterías AAA o se pierde la carga durante más de 15 segundos, se perderán los ajustes del reloj. Los ajustes no se verán afectados cuando extraiga la batería de 18 V.

## ENCENDIDO Y APAGADO DE LA ESTÉREO

Vea la figura 4, página 12.

Oprima la botón de **ENCENDIDO/APAGADO** para encender o apagar la estéreo.

**NOTA:** Es posible que deba mantener el botón presionado durante un máximo de 3 segundos para que la estéreo vuelva a encenderse. Si esto sucede, cambie las baterías AAA de la estéreo.

Para poder preservar la potencia de las baterías, la estéreo pasará automáticamente a modo suspendido aproximadamente 1 hora después de haberla apagado. Para salir del modo suspendido y volver a encender la estéreo, deberá utilizar la perilla **ON/OFF** (ENCENDIDO/APAGADO) de la estéreo.

## AJUSTE DEL VOLUMEN

Vea la figura 4, página 12.

Cuando está encendida, la estéreo regresa al último volumen utilizado.

**NOTA:** Si la batería de 18 V se extrae del estéreo o no tiene carga, el estéreo volverá al ajuste de volumen predeterminado.

- Para aumentar el volumen, presione el botón **VOL UP**.
- Para disminuir el volumen, presione el botón **VOL DOWN**.

**NOTA:** Para cambiar el volumen de forma rápida, mantenga la botón **VOL UP** o **VOL DOWN**.

### AVISO:

No utilice el estéreo al máximo volumen durante un período prolongado de tiempo con los graves y agudos a niveles máximos. Puede provocar daños en los altavoces y/o amplificadores de la unidad.

## CONTROL DE TONO

Vea la figura 4, página 12.

La configuración de graves y agudos es ajustable.

### Para ajustar la configuración de graves:

- Presione y mantenga presionado el botón **MODE** (Modo) hasta que aparezca **b (Bass)** (Graves).
- Presione los botones de flechas **VOL UP** (Subir volumen) o **VOL DOWN** (Bajar volumen) según lo desee para aumentar o disminuir los graves (-5 a +5).

### Para ajustar la configuración de agudos:

- Presione y mantenga presionado el botón **MODE** (Modo) hasta que aparezca **t (Treble)** (Agudos). Presione de nuevo inmediatamente hasta que aparezca **t (Treble)** (Agudos).
- Presione los botones de flechas **VOL UP** (Subir volumen) o **VOL DOWN** (Bajar volumen) según lo desee para aumentar o disminuir los agudos (-5 a +5).

## SELECCIÓN DE MODO

Vea la figura 4, página 11.

Para cambiar los modos, presione el botón de **MODE** (modo). El modo seleccionado se muestra arriba la frecuencia. Presione el botón de **MODE** (modo) hasta seleccionar el modo deseado. Hay cuatro modos:

- Modo FM
- Modo AM
- Modo AUX
- Modo BLUETOOTH®

# FUNCIONAMIENTO

## SINTONIZACIÓN FM/AM

Vea la figura 4, página 12.

Los botones de **SCAN** (búsqueda) se utilizan para sintonizar la frecuencia de estéreo deseada. La frecuencia seleccionada se muestra en la pantalla de cristal líquido.

- Presione el **SCAN** izquierda botón (búsqueda hacia izquierda) para sintonizar una frecuencia menor y presione el **SCAN** derecha botón (recorrer hacia derecha) para sintonizar una frecuencia mayor.
- Oprima brevemente alguno de los botones (no lo presione y sostenga) para sintonizar una frecuencia a la vez.
- Para usar la función **BUSCAR**, Presione y sostenga el **SCAN** izquierda botón (recorrer hacia izquierda) durante un segundo para sintonizar la siguiente frecuencia mayor con recepción clara. Presione y sostenga el **SCAN** derecha botón (recorrer hacia derecha) durante un segundo para sintonizar la siguiente frecuencia menor con recepción clara.

## GUARDAR UNA FRECUENCIA PREFIJADA EN LA MEMORIA

Vea la figura 4, página 12.

La función de memoria almacena hasta 20 frecuencias como estaciones previamente establecidas en la memoria de la estéreo. Puede almacenar hasta diez (10) frecuencias tanto para el modo FM como para el modo AM.

### Para agregar frecuencias prefijadas:

- Sintonice hasta la frecuencia deseada manualmente o utilizando la función **BUSCAR**.
- Presione y sostenga el botón **PRESET** durante un segundo. La palabra **PRESET** y el número de posición prefijada aparecerán en la pantalla. El número de posición prefijada y la frecuencia destellarán en intervalos de medio segundo (0,5 segundos).
- Utilice los botones con flechas **LEFT/RIGHT** (IZQUIERDO/DERECHO) para seleccionar el número de posición prefijado deseado para la estación (1-10).
- Presione y sostenga el botón **PRESET** durante tres (3) segundos para establecer la estación en la memoria. El número de posición prefijada y la frecuencia de la estación dejarán de destellar al establecerse la estación.

### Para sintonizar las frecuencias prefijadas (modo AM o FM):

- Presione y suelte rápidamente (no sostenga) el botón **PRESET**. Si presiona una vez, avanzará hacia el próximo número de posición prefijado y su frecuencia asociada. Simplemente deténgase en la frecuencia prefijada deseada.

## MODO AUXILIAR

Vea la figura 5, página 13.

La estéreo pueden utilizarse para reproductores MP3, tocadiscos CD, teléfono inteligente, tabletas u otros dispositivos de música.

### Para utilizar el modo auxiliar:

- Presione el botón **MODE** hasta que el menú **AUX** aparezca destacado.
- Conecte el cable auxiliar incluido al dispositivo externo.
- Conecte el otro extremo del cable auxiliar al puerto **AUX IN** (Entrada auxiliar).
- La bandeja del dispositivo puede utilizarse para almacenar el dispositivo de música.  
**NOTA:** La bandeja del dispositivo no puede guardar dispositivos externos.
- El dispositivo externo debe estar encendido y en modo "play" (en funcionamiento) para que el sonido pueda oírse a través de los parlantes.
- Todos los dispositivos externo pueden usarse normalmente mientras estén conectados al estéreo.  
**NOTA:** Para cualquier dispositivo conectado a través del toma AUX, el volumen puede ajustarse usando el control de volumen de dicho dispositivo o usando la perilla del volumen del estéreo receptor.
- El dispositivo externo no se apagará al apagar el radioreceptor.
- El toma AUX NO tiene función de carga.
- Para obtener las instrucciones completas sobre el funcionamiento del aparato conectado, consulte siempre el manual que se incluye con el aparato.
- El puerto **AUX OUT** (Salida auxiliar) es solo para conectar altavoces externos.  
**NOTA:** No conecte auriculares en el puerto **AUX OUT** (Salida auxiliar). El volumen para este puerto se establece al máximo nivel y no se puede disminuir con el botón **VOL DOWN** (Bajar volumen).

## EL PUERTO DE CARGA EXCLUSIVO PARA USB

Vea la figura 5 y 6, página 13.

El puerto de carga exclusivo para USB proporciona potencia de carga CC de hasta 2 amperios para su teléfono celular, reproductor de MP3, tableta, u otros dispositivos USB.

### **AVISO:**

Si intenta cargar dispositivos de más de 2 amperios el puerto de carga exclusivo para USB y/o el dispositivo podrían dañarse.

- Conecte un extremo de un cable USB (no suministrado) a su dispositivo USB.
- Conecte el otro extremo del cable USB (no suministrado) al puerto de carga exclusivo para USB para comenzar a cargar el dispositivo.  
**NOTA:** El puerto de carga exclusivo para USB suministra solamente corriente eléctrica; no aporta capacidad de comunicación.
- Cuando la estéreo está funcionando con las baterías, el puerto de carga exclusivo para USB continuará

# FUNCIONAMIENTO

funcionando aproximadamente 1 hora después de apagar la estéreo. Si la estéreo permanece inactiva después de este tiempo, se detendrá la carga. Encienda la estéreo para reanudar el funcionamiento.

## USO DE UN DISPOSITIVO HABILITADO PARA BLUETOOTH® (NO SUMINISTRADO) CON LA ESTÉREO

Vea la figura 7, página 13.

- Presione el botón **MODE** hasta que el modo **BLUETOOTH®** aparezca resaltado.
- Cuando el modo de la estéreo se cambia a **BLUETOOTH®**, la unidad intentará emparejarse con un dispositivo habilitado para **BLUETOOTH®** y “**bt**” se iluminará en la pantalla de cristal líquido.  
**NOTA:** La estéreo automáticamente intentará conectarse con el último dispositivo con el que se emparejó. Si no se puede establecer una conexión dentro de cinco segundos, la estéreo se pondrá a disposición de otros dispositivos habilitados para **BLUETOOTH®**.
- Los dispositivos habilitados para **BLUETOOTH®** deben estar dentro de 30 pies de la estéreo y configurados para buscar/recorrer a fin de emparejarse con la estéreo.
- Seleccione “**RYOBI STEREO**” de la lista de señales disponibles de **BLUETOOTH®** de su dispositivo para emparejar el dispositivo y la estéreo. No se requiere ninguna contraseña o PIN para la conexión.

- Cuando el dispositivo se haya emparejado correctamente con la estéreo, aparecerá la hora en la pantalla LCD.

**NOTA:** Cuando un dispositivo se empareja con la estéreo, la información de conexión con el dispositivo se guarda en la memoria de la estéreo.

- Cuando transmita audio desde un dispositivo habilitado para **BLUETOOTH®**, presione el botón **SCAN** izquierda (Explorar hacia la izquierda) o **SCAN** derecha (Explorar hacia la derecha) para ir a la pista anterior o a la siguiente. Presione brevemente y suelte el botón **PRESET** (Ajustes previos) para cambiar entre pausa y reproducción de audio.

**NOTA:** Es posible que estos controles no sean compatibles con el dispositivo **BLUETOOTH®** y/o la aplicación que esté utilizando.

- Para desconectar el dispositivo habilitado para **BLUETOOTH®**, presione y mantenga presionado el botón **PRESET** (Ajustes previos). Cuando el dispositivo esté desconectado, “**bt**” volverá a aparecer en la pantalla LCD y la estéreo comenzará a retransmitir la señal de **BLUETOOTH®**.

## ANTENA FLEXIBLE PLEGABLE

Vea la figura 8, página 13.

Para disminuir la interferencia o el ruido eléctrico, la recepción puede mejorarse la antena o moviendo la estéreo a un lugar más elevado.

# MANTENIMIENTO

### ADVERTENCIA:

Retire siempre las baterías del producto y desconecte el cable de CA cuando está ensamblando partes, limpiando el aparato, o mientras no lo utiliza. Retirar el paquete de baterías y la fuente de alimentación evitará el funcionamiento accidental que pueda provocar lesiones personales graves.

### ADVERTENCIA:

Al dar servicio a la unidad, sólo utilice piezas de repuesto idénticas. El empleo de piezas diferentes podría causar un peligro o dañar el producto.

## MANTENIMIENTO GENERAL

Evite el empleo de solventes al limpiar piezas de plástico. La mayoría de los plásticos son susceptibles a diferentes tipos de solventes comerciales y pueden resultar dañados. Utilice paños limpios para eliminar la suciedad, el polvo, el aceite, la grasa, etc.

## CUMPLIMIENTO DE LAS NORMAS DE LA FCC

### **ADVERTENCIA:**

Los cambios o modificaciones hechos a esta unidad sin la autorización expresa del responsable del cumplimiento de la norma podrían anular la autoridad del usuario para manejar el equipo.

Este dispositivo cumple con la Parte 15 de las Reglas de FCC y con los estándares de la industria de RSS exentos de licencia de Canadá. El funcionamiento está sujeto a las siguientes dos condiciones: (1) Este dispositivo no debe causar interferencias perjudiciales, y (2) Este dispositivo debe admitir toda interferencia recibida, incluso aquella que pudiera dificultar el funcionamiento esperado.

**NOTA:** El ente que ofrece la garantía no es responsable por los cambios o modificaciones que no estén expresamente aprobados por la parte responsable del cumplimiento. Dichas modificaciones pueden anular la autoridad del usuario para hacer funcionar el equipo.

**NOTA:** Se ha verificado y determinado que este equipo cumple con los límites correspondientes a los dispositivos digitales de Clase B, de acuerdo con la Parte 15 de las Normas de la FCC. Estos límites están establecidos para proporcionar una protección razonable contra la interferencia dañina en las instalaciones residenciales. Este equipo genera, utiliza y puede irradiar energía de frecuencia de radio, y si no se instala y emplea de conformidad con las instrucciones, puede causar interferencia dañina a las radiocomunicaciones. No obstante, no hay garantía de que no ocurrirá ninguna interferencia en cada instalación en particular. Si este equipo causa interferencia dañina en la recepción de radio o televisión, lo cual puede determinarse apagando y luego encendiendo el equipo, se exhorta al usuario a tratar de corregir la interferencia tomando una o más de las siguientes medidas:

- Cambiar la orientación o ubicación de la antena receptora.
- Aumentar la separación entre el equipo y el aparato receptor.
- Conectar el equipo en una toma de corriente de un circuito diferente al que esté conectado el aparato receptor.
- Consultar al concesionario o a un técnico experimentado de radio y TV para que le brinden ayuda.

This device complies with Industry Canada license-exempt RSS standard(s). Operation is subject to the following two conditions: (1) this device may not cause interference, and (2) this device must accept any interference, including interference that may cause undesired operation of the device.

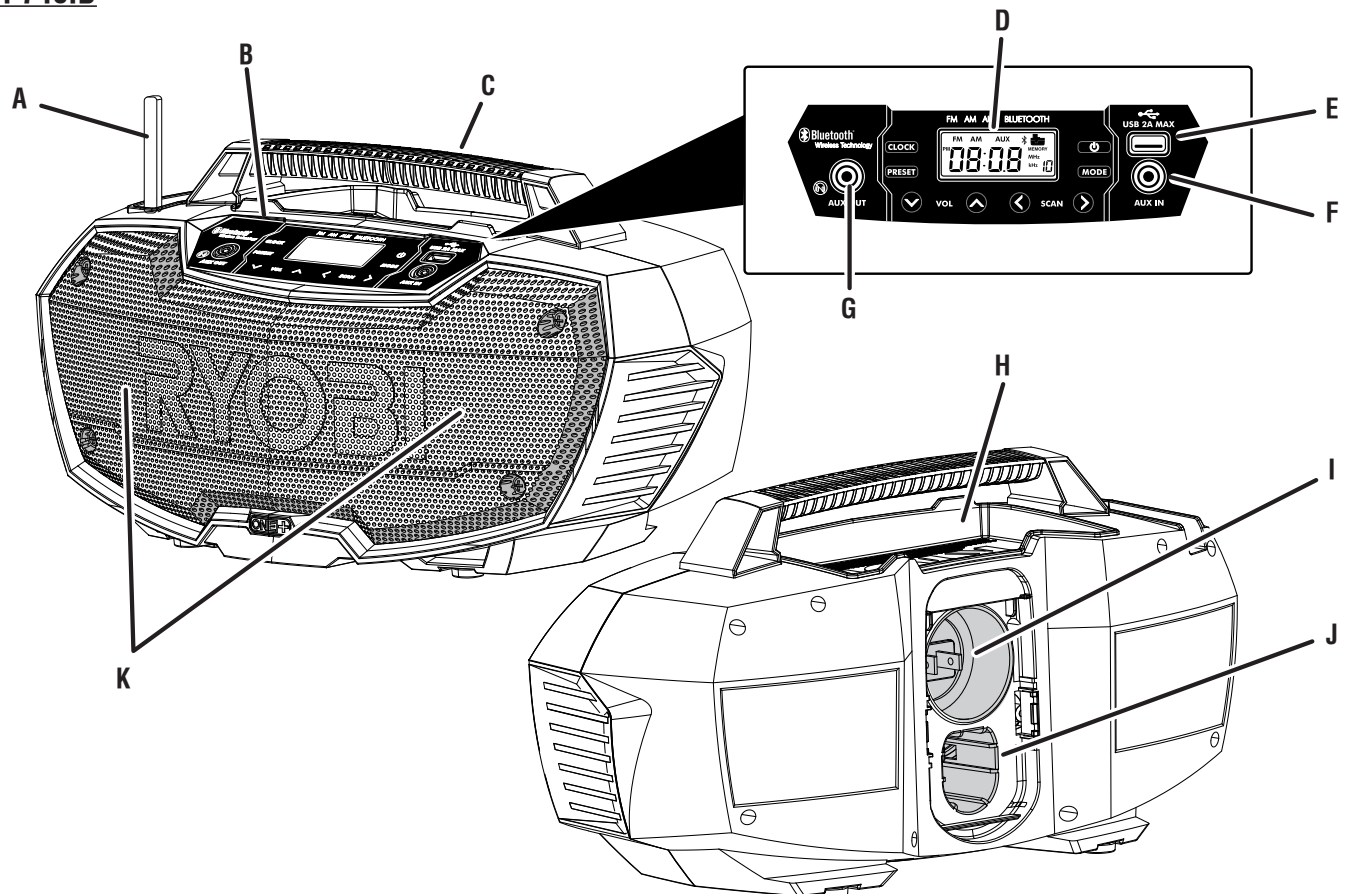
Según las regulaciones de Industria de Canadá, este transmisor de radio únicamente puede funcionar con una antena de un tipo y una ganancia máxima (o menor) para el transmisor aprobada por Industria de Canadá. Para reducir una potencial interferencia de radio a otros usuarios, el tipo de antena y su ganancia se deben elegir de forma tal que la potencia isotrópica radiada equivalente (p.i.r.e.) no exceda la necesaria para establecer la comunicación.

---

### **DECLARACIÓN DE LICENCIA DE BLUETOOTH®**

La marca y los logotipos BLUETOOTH® son marcas comerciales registradas de Bluetooth SIG, Inc. y cualquier uso de dichas marcas por RYOBI™ se realiza bajo licencia. Los demás nombres y marcas comerciales son propiedad de sus respectivos dueños.

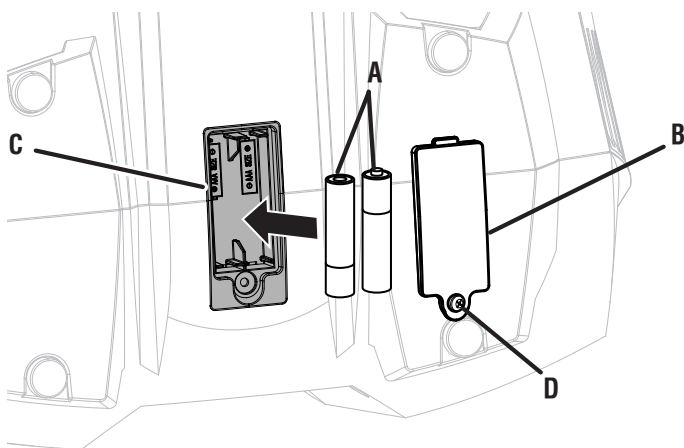
# P746/P746ID



- A - Fold-down antenna (antenne rabattable, antena plegable)
- B - Touchpad controls (commandes du panneau de touche, panel táctil)
- C - Carrying handle (poignée de transport, mango de transporte)
- D - Backlit LCD display (afficheur ACL avec rétroéclairage, pantalla de cristal líquido con luz de fondo)
- E - USB dedicated charging port (port USB dédié à la charge, puerto de carga exclusiva para USB)
- F - Auxiliary input port (connecteur d'entrée auxiliaire, enchufe de entrada auxiliar)

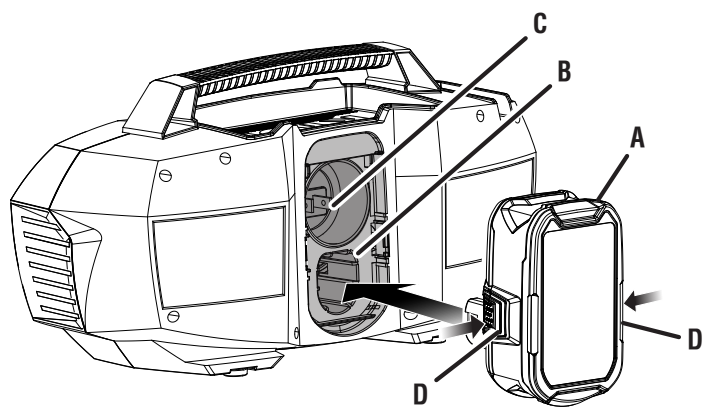
- G - Auxiliary output port (prise de sortie auxiliaires, conector auxiliares de salida)
- H - Device tray (plateau de dispositif, bandeja de dispositivo)
- I - AC power plug (connecteur pour cordon d'alimentation c.a., conector para cordón eléctrico, sólo corr. alt.)
- J - Battery port (logement de pile, receptáculo de las baterías)
- K - Speakers (haut-parleurs, parlantes)

**Fig. 1**



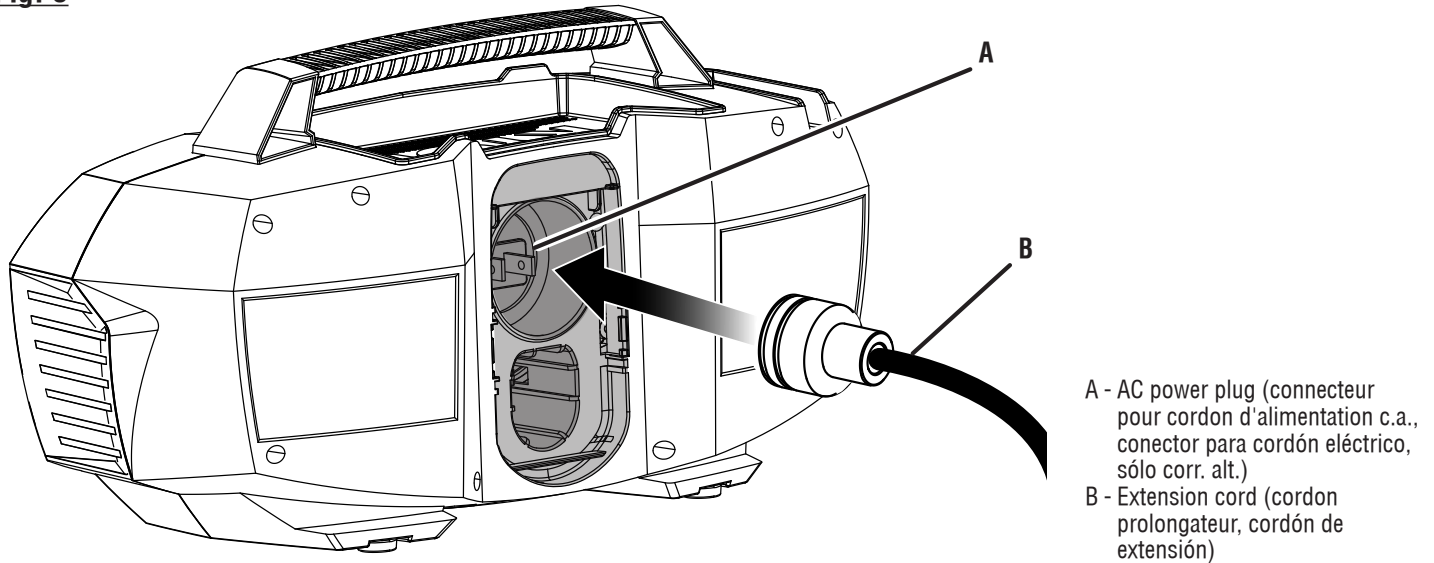
- A - AAA batteries (pile AAA, baterías AAA)
- B - Battery cover (couverture du compartiment des pile, tapa del compartimiento de las baterías)
- C - Battery compartment (compartiment des pile, compartimiento de la batería)
- D - Screw (vis, tornillo)

**Fig. 2**

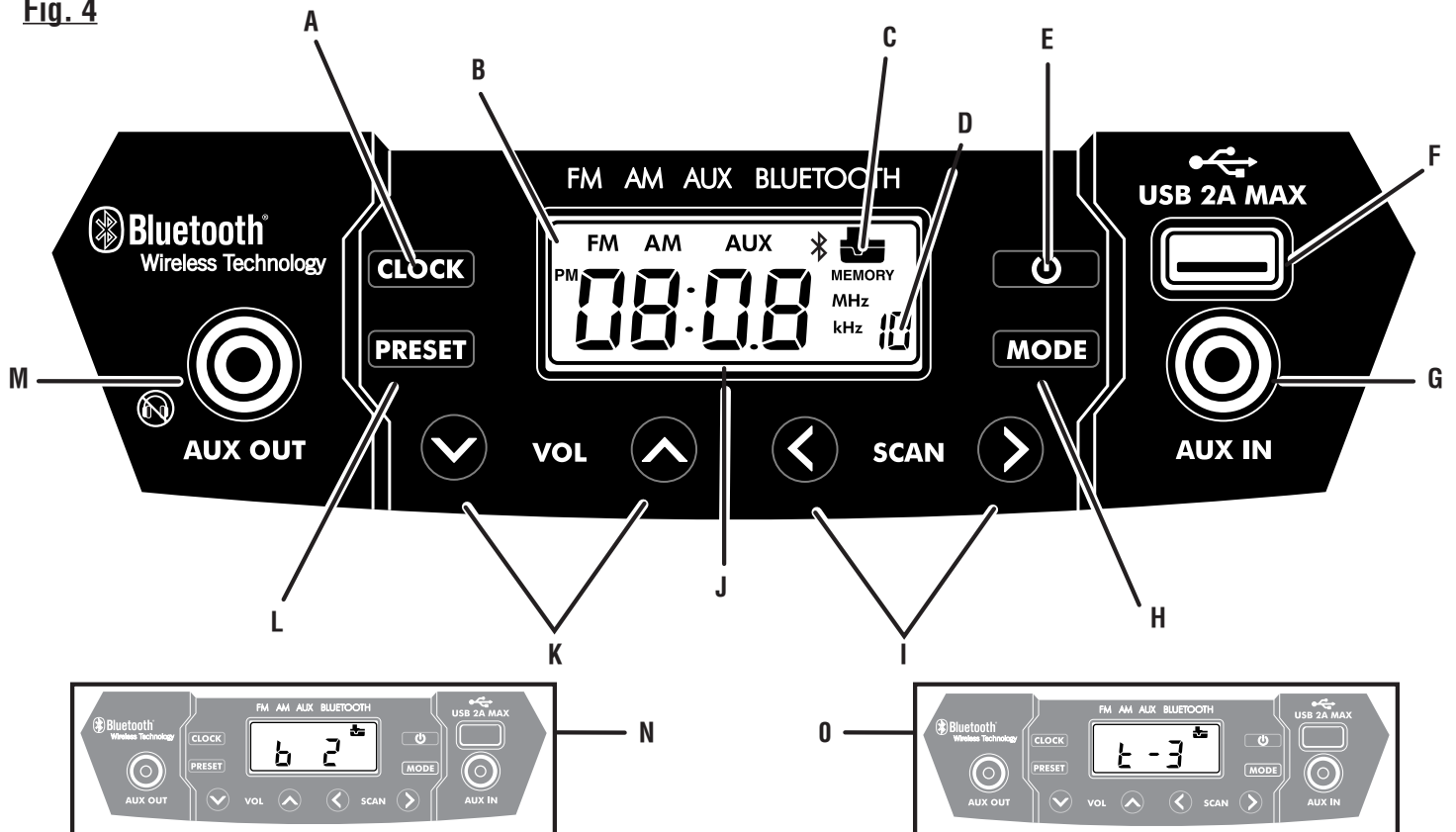


- A - Battery pack (bloc-pile, paquete de baterías)
- B - Battery port (compartiment de la pile, receptáculo para baterías)
- C - AC power plug (connecteur pour cordon d'alimentation c.a., conector para cordón eléctrico, sólo corr. alt.)
- D - Latches (loquets, pestillos)

**Fig. 3**



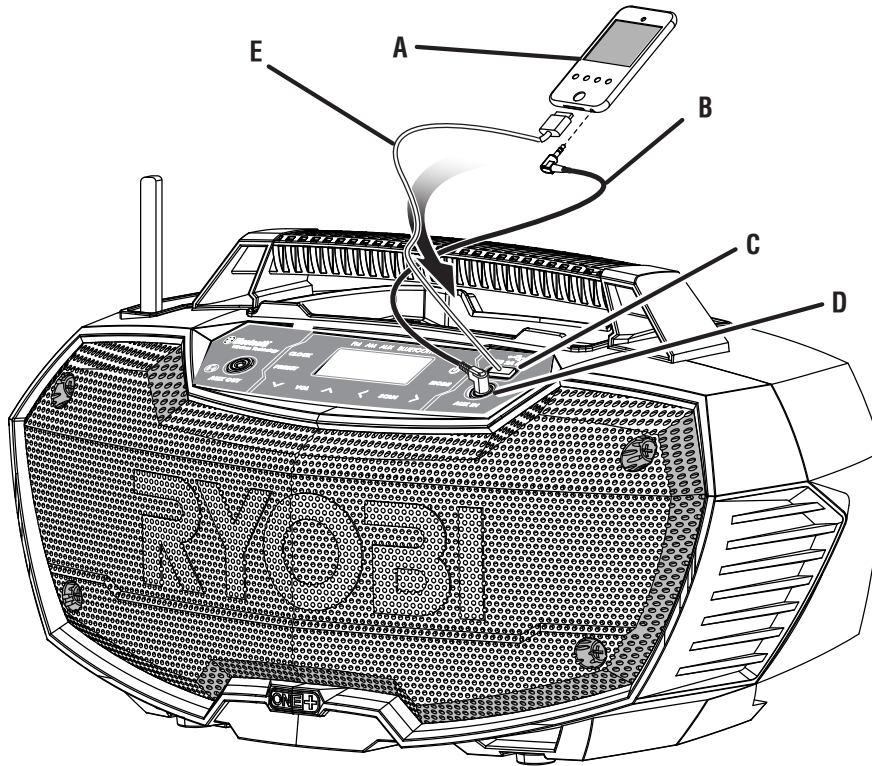
**Fig. 4**



- A - Clock button (bouton l'horloge, botón de reloj)
- B - Mode selection display (affichage de sélection du mode, pantalla de selección de modo)
- C - Battery charge indicator (indicateur de charge des piles, indicador de carga de la batería)
- D - Preset station position number (numéro de position de station pré-réglée, número de posición de estación prefijada)
- E - On/Off button (bouton « On/Off » [marche/arrêt], botón de encendido/apagado)
- F - USB dedicated charging port (port USB dédié à la charge, puerto de carga exclusiva para USB)
- G - Auxiliary input port (connecteur d'entrée auxiliaire, enchufe de entrada auxiliar)
- H - Mode button (bouton de mode, botón de modo)
- I - Scan (bouton de balayage, botón de recorrer)
- J - Frequency/time display (affichage de la fréquence et de l'heure, pantalla de frecuencia/hora)
- K - Volume (boutons de réglage du volume, botóns de volumen)
- L - Preset station button (bouton de station pré-réglée, botón de estación prefijada)
- M - Auxiliary output port (prise de sortie auxiliaires, conector auxiliares de salida)
- N - Bass display (affichage des basses, visualización de graves)
- O - Treble display (affichage des aigües, visualización de agudos)

**LCD DISPLAY WITH ALL ICONS SHOWN  
 (ILLUSTRATION DE L'AFFICHEUR ACL ET DE TOUTES LES ICÔNES, PANTALLA DE CRISTAL LIQUIDO CON LOS ICONOS TODAS LAS )**

**Fig. 5**



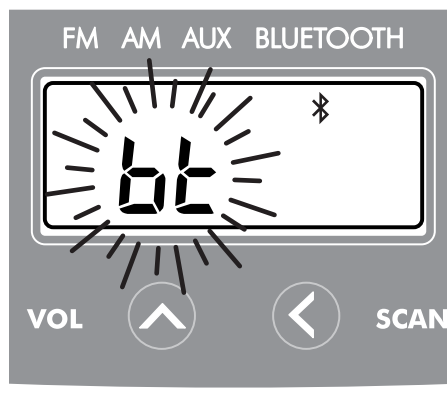
- A - External device (not included) (dispositif externe [non fournie], dispositivo externo [no se incluye])
- B - Auxiliary connector (connecteur auxiliaire, connecteur auxiliaire)
- C - USB dedicated charging port (cable not included) (port USB dédié à la charge [câble non fournie], puerto de carga exclusiva para USB [cable no se incluye])
- D - Auxiliary input port (connecteur d'entrée auxiliaire, enchufe de entrada auxiliar)
- E - USB cable (not included) (câble USB [non fournie], cable USB [no se incluye])

**Fig. 6**

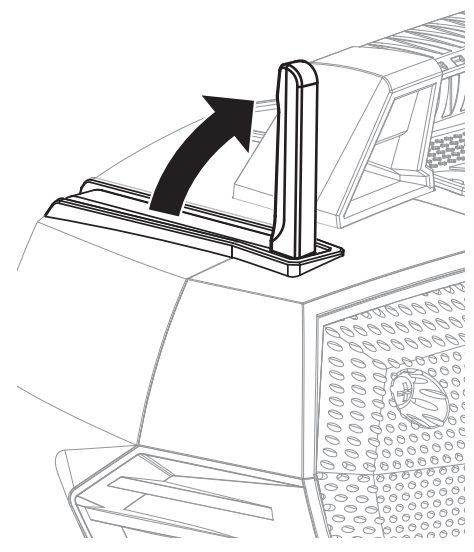


- A - USB dedicated charging port (port USB dédié à la charge, puerto de carga exclusiva para USB)

**Fig. 7**



**Fig. 8**





**OPERATOR'S MANUAL / 18 VOLT DUAL POWER STEREO  
MANUEL D'UTILISATION / STÉRÉO À ALIMENTATION DOUBLE DE 18 V  
MANUAL DEL OPERADOR / ESTÉREO DE POTENCIA DOBLE DE 18 V  
P746/P746ID**

*This equipment complies with the FCC/IC RF radiation exposure limits set forth for an uncontrolled environment. It should be operated with a minimum distance of 20cm between the radiator and any part of your body.*

*Cet équipement est conforme aux limites d'exposition aux rayonnements de la FCC/IC RF établies pour un environnement non contrôlé. Il doit être fonctionner à au moins 20 cm de distance d'un radiateur ou de votre corps.*

*Este equipo cumple con los límites de exposición a la radiación FCC/IC RF establecidos para un entorno no controlado. Debe operar con una distancia mínima de 20 cm entre el elemento radiante y el cuerpo de la persona.*

To request service, purchase replacement parts,  
locate an Authorized Service Center or obtain Customer or Technical Support:  
Visit **www.ryobitools.com** or call **1-800-525-2579**

If any parts or accessories are damaged or missing, do not return this product to the store.  
Call **1-800-525-2579** for immediate service.

Please obtain your model and serial number from the product data plate.  
**This product is covered under a 3-year limited Warranty. Proof of purchase is required.**

MODEL NUMBER\* \_\_\_\_\_ SERIAL NUMBER \_\_\_\_\_

*\*Model number on product may have additional letters at the end. These letters designate manufacturing information and should be provided when calling for service.*

RYOBI is a trademark of Ryobi Limited and is used pursuant to a license granted by Ryobi Limited.

Pour faire une demande de réparations ou obtenir des pièces de rechange, trouver un  
Centre de réparations agréé pour obtenir un soutien technique ou le Service à la clientèle :  
Visiter **www.ryobitools.com** ou en téléphonant au **1-800-525-2579**

Si des pièces ou accessoires sont manquantes ou endommagées, ne pas retourner  
ce produit au magasin. Appeler immédiatement au **1-800-525-2579** pour obtenir de l'aide.

Inscrire les numéros de modèle et de série inscrits sur la plaque d'identification du produit.  
**Ce produit est couvert par une garantie limitée de trois (3) ans. Une preuve d'achat est exigée.**

NUMÉRO DE MODÈLE\* \_\_\_\_\_ NUMÉRO DE SÉRIE \_\_\_\_\_

*\*Le numéro de modèle sur le produit peut contenir des lettres supplémentaires à la fin. Ces lettres désignent les informations du fabricant et doivent être fournies lors d'un appel de demande de service.*

RYOBI est une marque de Ryobi Limited et est utilisée en vertu d'une licence accordée par Ryobi Limited.

Para obtener servicio, comprar piezas de repuesto, localizar un centro  
de servicio autorizado y obtener Servicio o Asistencia Técnica al Consumidor:  
Visite **www.ryobitools.com** o llame al **1-800-525-2579**

Si hay alguna pieza ou accesorios dañada o faltante, no devuelva este producto a la tienda.  
Llame al **1-800-525-2579** para servicio técnico inmediato.

Obtenga su modelo y número de serie de la placa de datos del producto.  
**Este producto está cubierto con una garantía limitada de 3 años. Se solicita prueba de la compra.**

NÚMERO DE MODELO\* \_\_\_\_\_ NÚMERO DE SERIE \_\_\_\_\_

*\*El número de modelo que figura en el producto podría tener letras adicionales al final. Estas designan información de fabricación y deben suministrarse cuando llame para obtener asistencia o servicio.*

RYOBI es una marca de Ryobi Limited y se utiliza conforme a una licencia otorgada por Ryobi Limited.

**ONE WORLD TECHNOLOGIES, INC.**

P.O. Box 1288, Anderson, SC 29622 • Phone 1-800-525-2579  
États-Unis, Téléphone 1-800-525-2579 • USA, Teléfono 1-800-525-2579