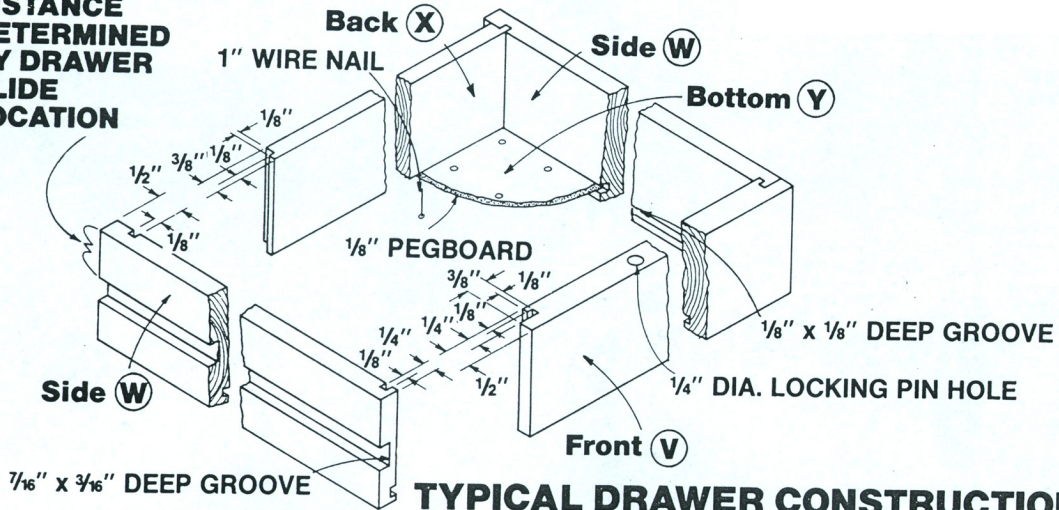


**DISTANCE
DETERMINED
BY DRAWER
GLIDE
LOCATION**



TYPICAL DRAWER CONSTRUCTION