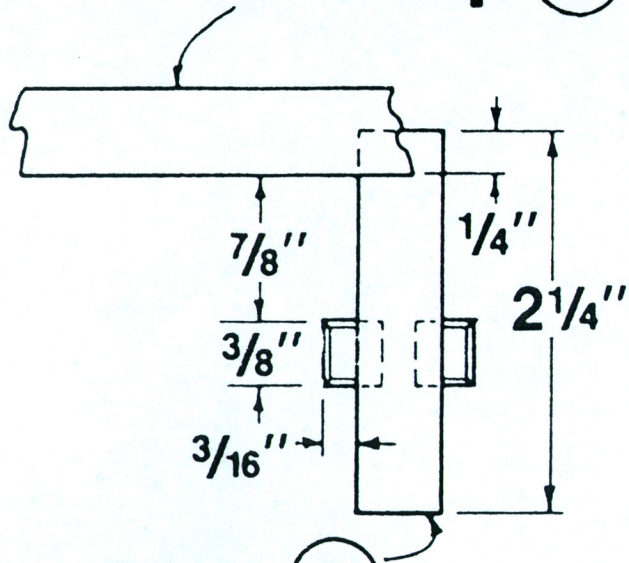


Base Top (S)



Base Partition (T)